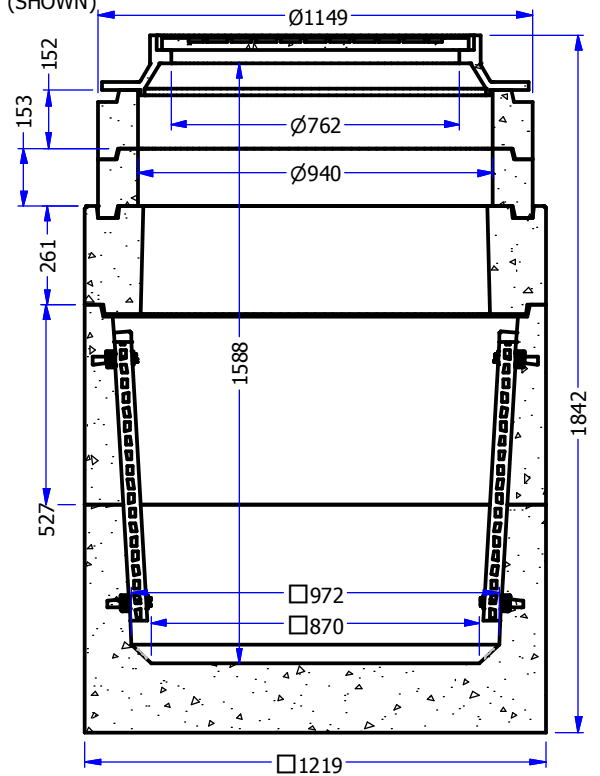
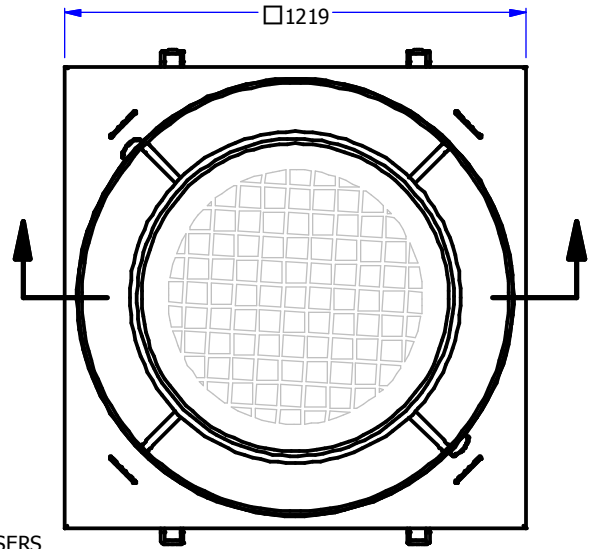
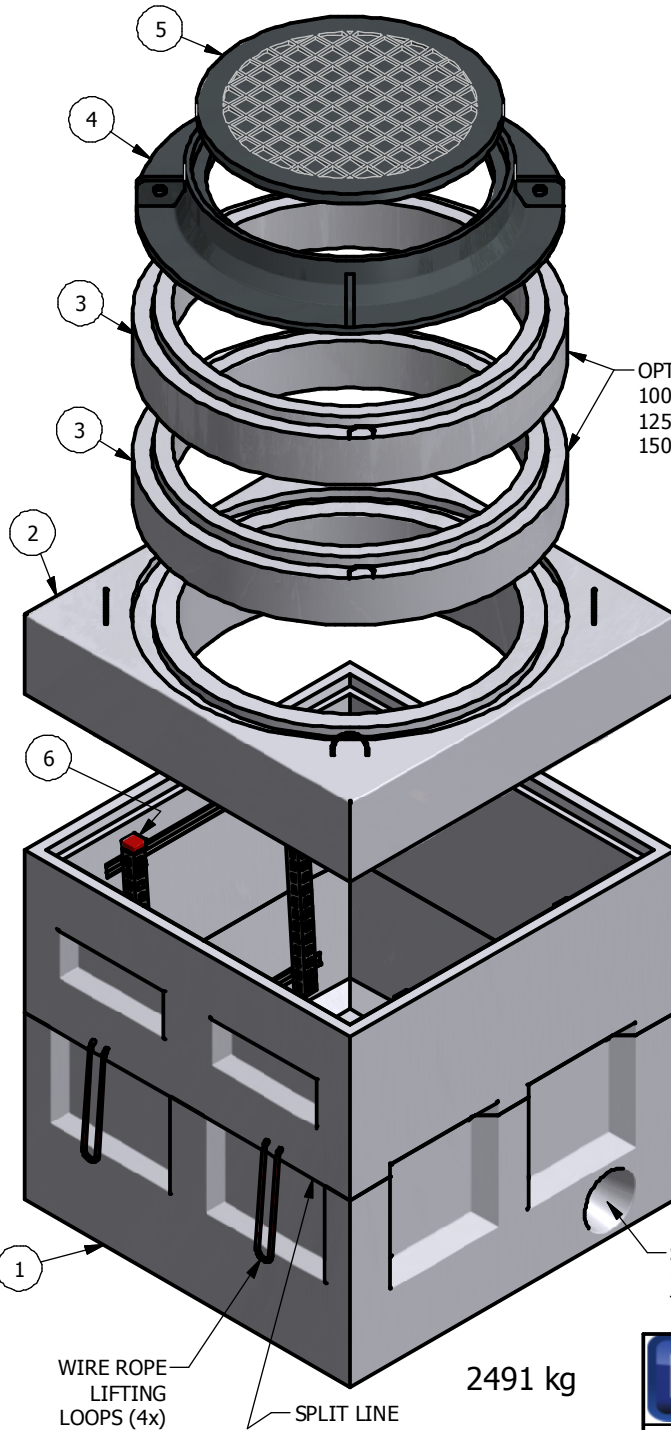


#	PART #	DESCRIPTION	CODE #	KG
1	1.2M CV KO S	1.2m COMMUNICATIONS VAULT w/ KNOCKOUTS - SPLIT	16517	1470
2	1.2M MHL	1.2m MANHOLE LID	16529	522
3	VRR Ø915x6	6" VAULT RISER RING	16619	122
4	TR42B FRAME	CAST IRON FRAME	20332	145
5	TR42	CAST IRON COVER	20331	100
6	1.2M CRK	1.2M CABLE RACK KIT	16508	9



-PRODUCT MANUFACTURED IN ACCORDANCE WITH CSA A23.4
 -STEEL PRODUCTS MANUFACTURED UNDER CSA W47.1 IN ACCORDANCE WITH CSA W59
 -MIN CONCRETE STRENGTH AT 28 DAYS: 35 MPA
 -GRADE 400 REBAR REINFORCEMENT
 -DESIGNED FOR ROADWAY USE - BCL625 H20 LIVE LOADING

FRASERWAY PRECAST LTD

WWW.FRASERWAYPRECAST.COM

604-534-2911

1.2M COMMUNICATIONS VAULT w/ KNOCK OUTS - SPLIT COMPLETE ASSEMBLY

SIZE	DRAWING #	REV	SHEET
A	1.2M CV KOS C		1/1