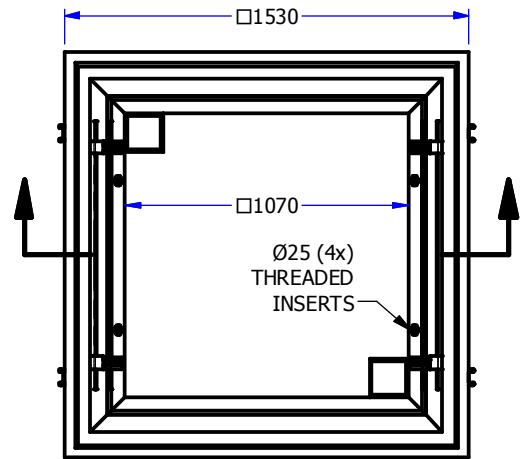
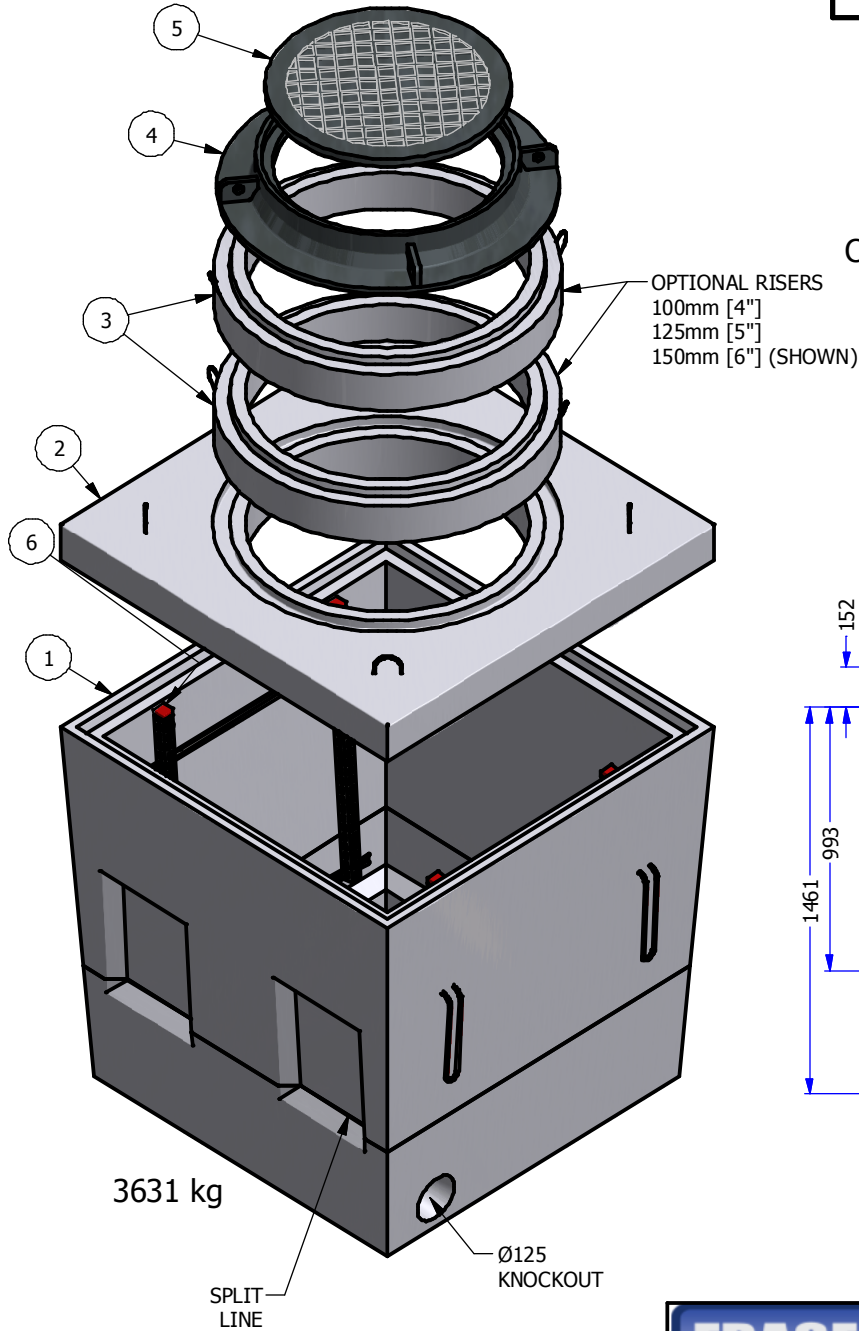
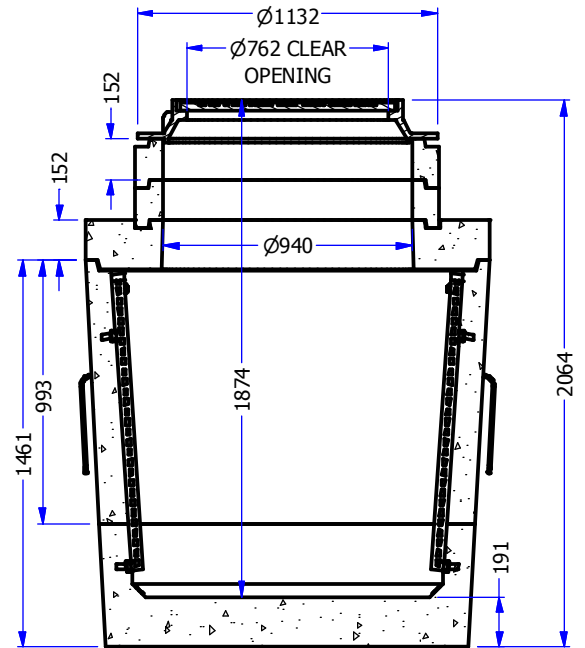


#	PART #	DESCRIPTION	CODE #	KG
1	1.5M CV S	1.5m COMM VAULT w/ KNOCKOUTS SPLIT	16589	2437
2	1.5M MHL	1.5M MANHOLE LID	16604	693
3	VRR $\varnothing$ 915x6	6" VAULT RISER RING	16619	122
4	TR42B FRAME	CAST IRON FRAME	20332	145
5	TR42	CAST IRON COVER	20331	100
6	1.5M CRK	CABLE RACK KIT	16580	13



COVERS REMOVED FOR CLARITY



3631 kg

SPLIT LINE

$\varnothing$ 125 KNOCKOUT

## FRASERWAY PRECAST LTD

WWW.FRASERWAYPRECAST.COM

604-534-2911

### 1.5m COMMUNICATIONS VAULT SPLIT w/ MANHOLE LID COMPLETE ASSEMBLY

- PRODUCT MANUFACTURED IN ACCORDANCE WITH CSA A23.4
- STEEL PRODUCTS MANUFACTURED UNDER CSA W47.1 IN ACCORDANCE WITH CSA W59
- MIN CONCRETE STRENGTH AT 28 DAYS: 35 MPA
- GRADE 400 REBAR REINFORCEMENT
- DESIGNED FOR BCL625 H20 LIVE LOADING
- CAST IRON FRAME & COVER: BCL625 H20 LIVE LOAD RATED

SIZE	DRAWING #	REV	SHEET
A	1.5M CV KOS MH		1/1