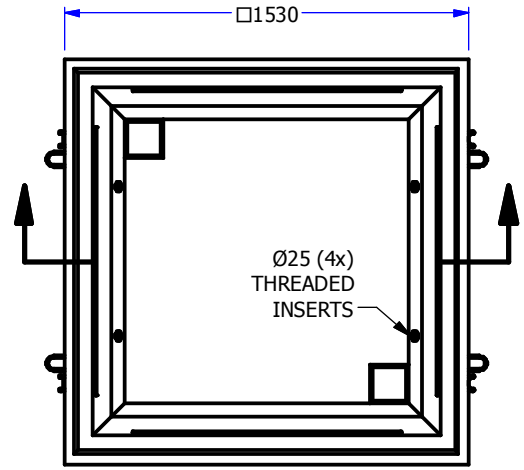
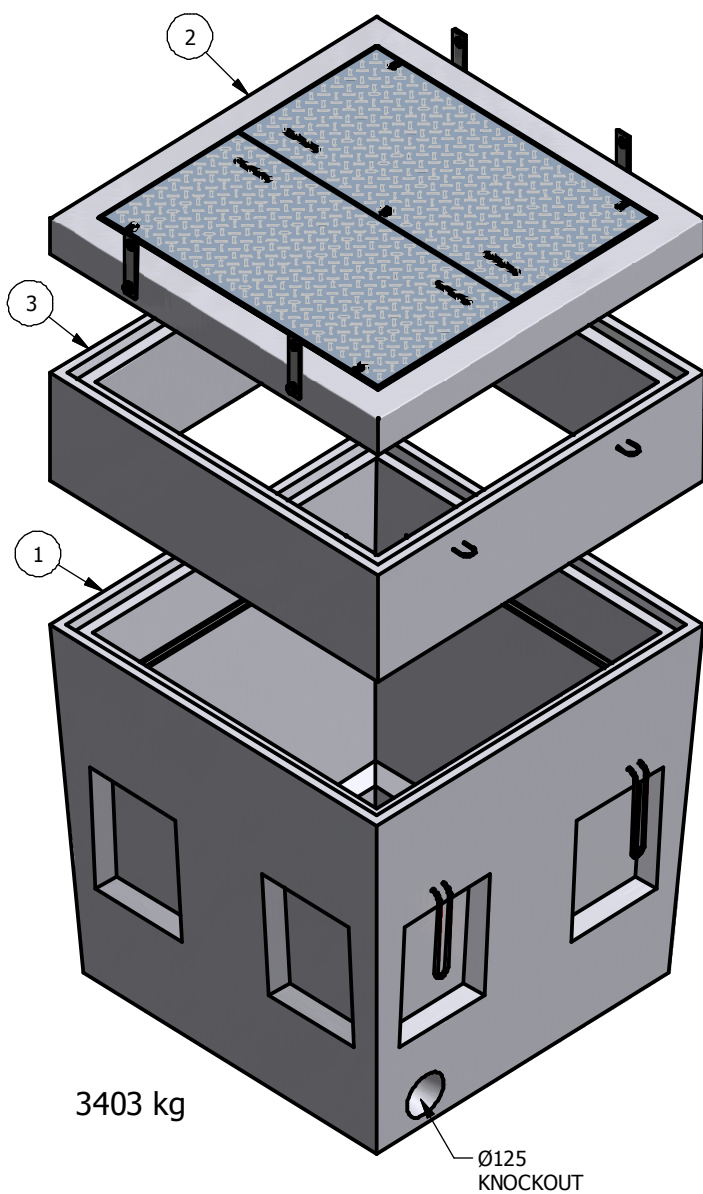
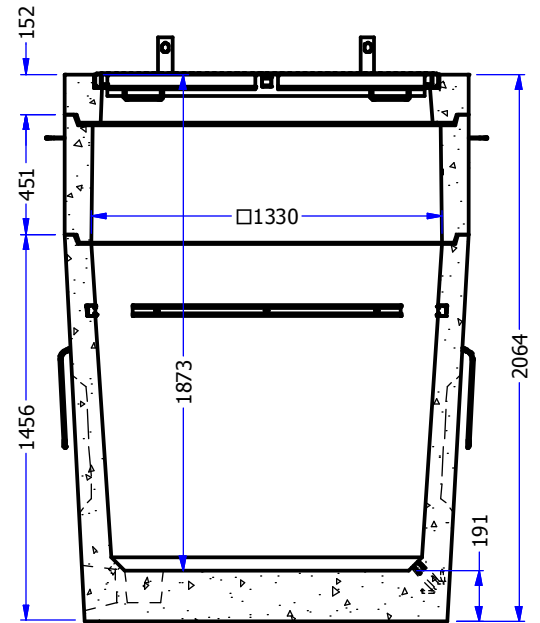


#	PART #	DESCRIPTION	CODE #	KG
1	1.5M EV KO	1.5 ELEC VAULT w/ KNOCKOUTS	16592	2355
2	1.5M HL BD	1.5M HATCH LID BOLTDOWN	16595	436
3	1.5M R18	1.5M RISER 18" [450mm]	16610	613



COVER REMOVED FOR CLARITY

OPTIONAL RISERS
150mm [6"]
450mm [18"] (SHOWN)



- PRODUCT MANUFACTURED IN ACCORDANCE WITH CSA A23.4
- STEEL PRODUCTS MANUFACTURED UNDER CSA W47.1
- IN ACCORDANCE WITH CSA W59
- MIN CONCRETE STRENGTH AT 28 DAYS: 35 MPA
- GRADE 400 REBAR REINFORCEMENT
- DESIGNED FOR BCL625 H20 OCCASIONAL LOADING

FRASERWAY PRECAST LTD

WWW.FRASERWAYPRECAST.COM 604-534-2911

**1.5m METER VAULT
WITH BOLT DOWN HATCH LID
COMPLETE ASSEMBLY**

SIZE	DRAWING #	REV	SHEET
A	1.5M MV HL C		1 / 1