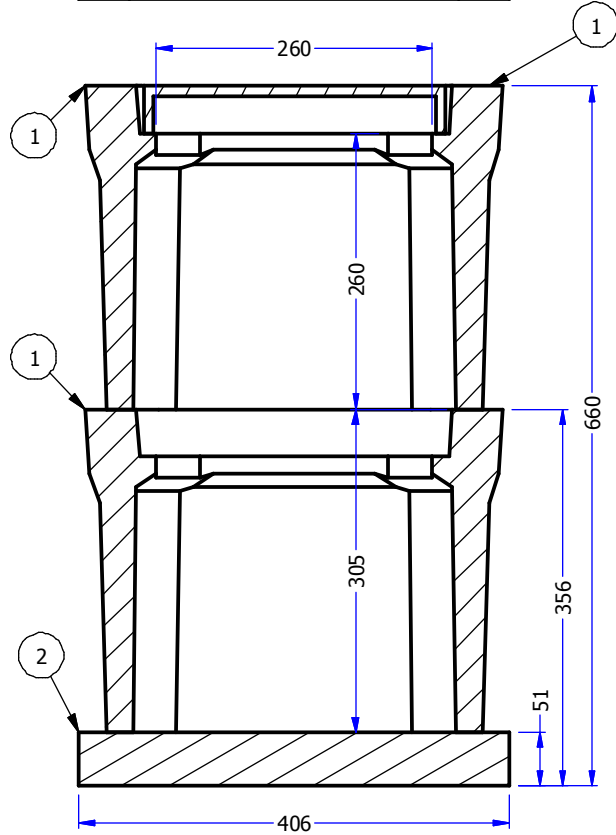
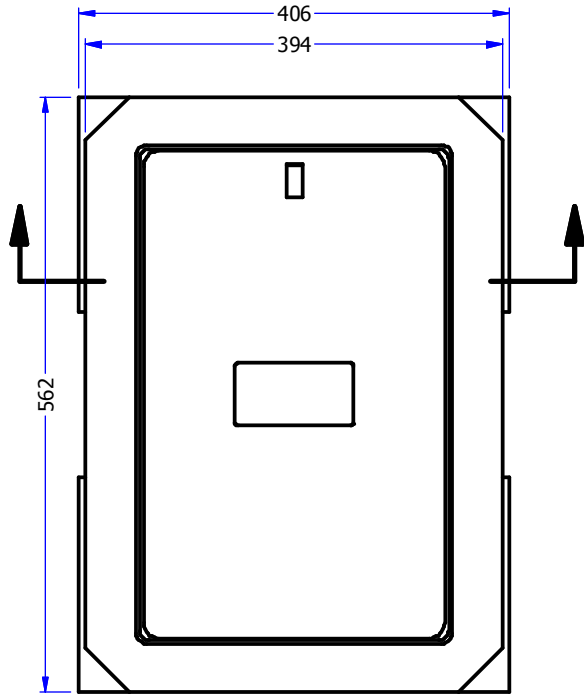
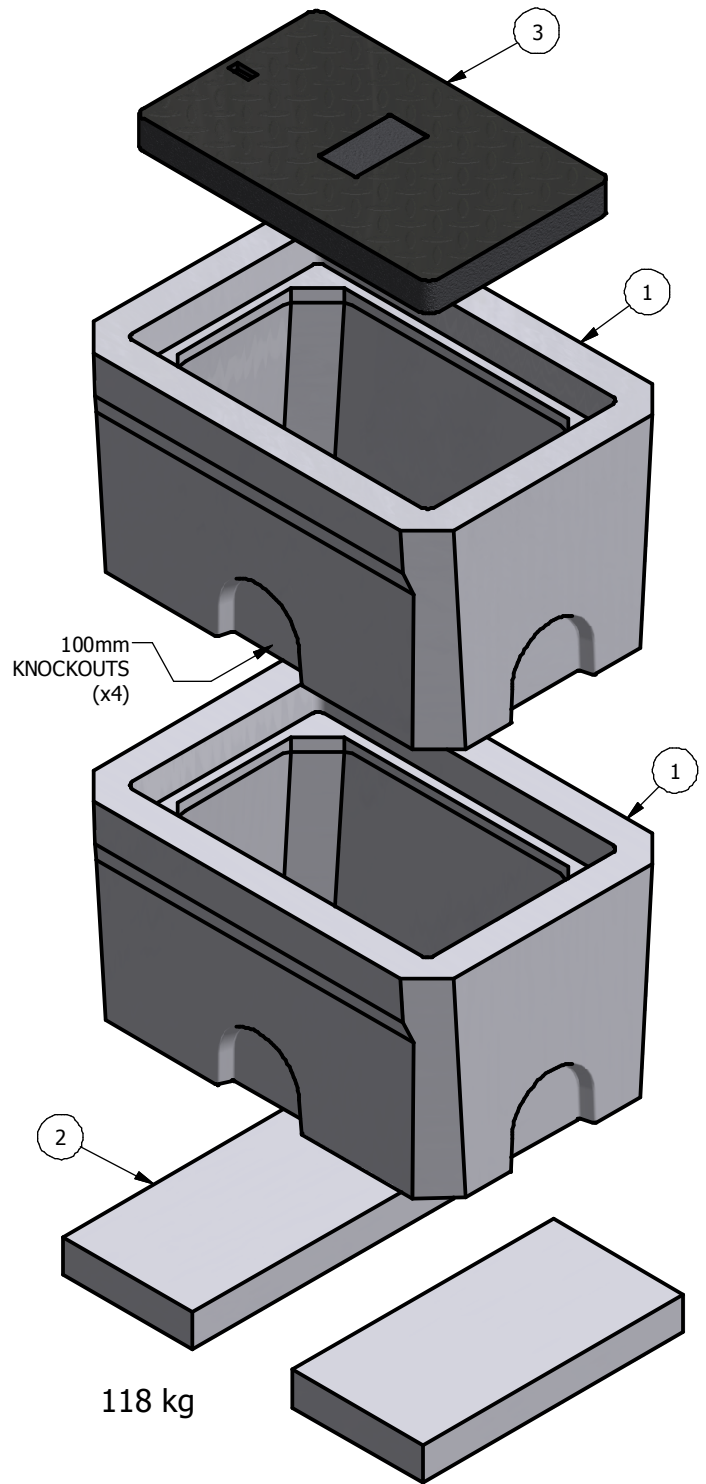


#	DESCRIPTION	CODE #	KG
1	#37 SERVICE BOX RISER 12" 300mm	16190	43
2	#37 SERVICE BOX BRICK 16 x 8 x 2"	16199	10
3	#37 SERVICE BOX LID CAST IRON	16202	12



SECTION VIEW

- PRODUCT MANUFACTURED IN ACCORDANCE WITH CSA A23.4
- DESIGNED FOR BOULEVARD (OFF ROAD) USE
- H20 STATIC LOADING
- STEEL PRODUCTS MANUFACTURED UNDER CSA W47.1 IN ACCORDANCE WITH CSA W59
- MINIMUM CONCRETE STRENGTH AT 28 DAYS: 35 MPA



FRASERWAY PRECAST LTD

WWW.FRASERWAYPRECAST.COM

604-534-2911

#37 SERVICE BOX COMPLETE
2x 300mm RISER SECTIONS WITH
STEEL PAINTED LID & BASE BRICKS

SIZE	DRAWING #	REV	SHEET
A	37SB C		1/1