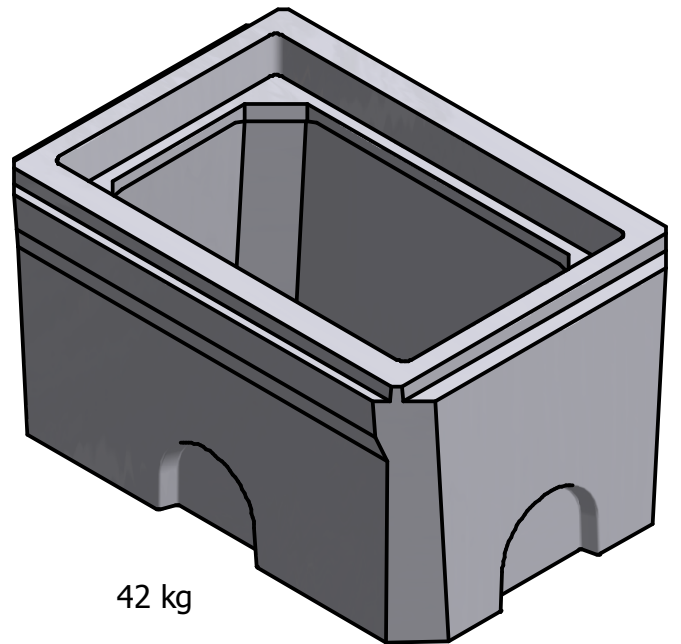


SECTION VIEW



42 kg

- PRODUCT MANUFACTURED IN ACCORDANCE WITH CSA A23.4
- DESIGNED FOR BOULEVARD (OFF ROAD) USE
 - H20 STATIC LOADING
- STEEL PRODUCTS MANUFACTURED UNDER CSA W47.1 IN ACCORDANCE WITH CSA W59
- SITE INSTALLATION, BACKFILLING, AND SUITABILITY FOR USE, IS RESPONSIBILITY OF OTHERS.
- MINIMUM CONCRETE STRENGTH AT 28 DAYS: 35 MPA

FRASERWAY PRECAST LTD

WWW.FRASERWAYPRECAST.COM

604-534-2911

**#37 SERVICE BOX RISER 12" 305mm
MAPLE RIDGE STYLE**

SIZE	DRAWING #	16247	REV	SHEET
A	37SB R12 MR			1/1