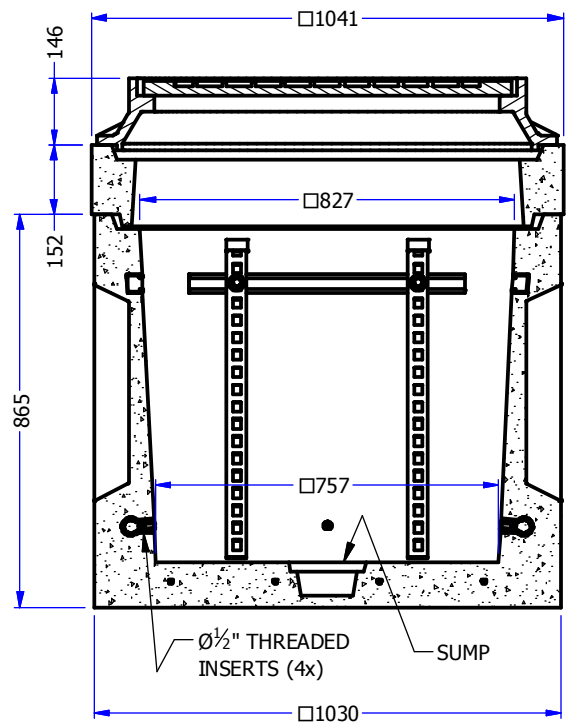
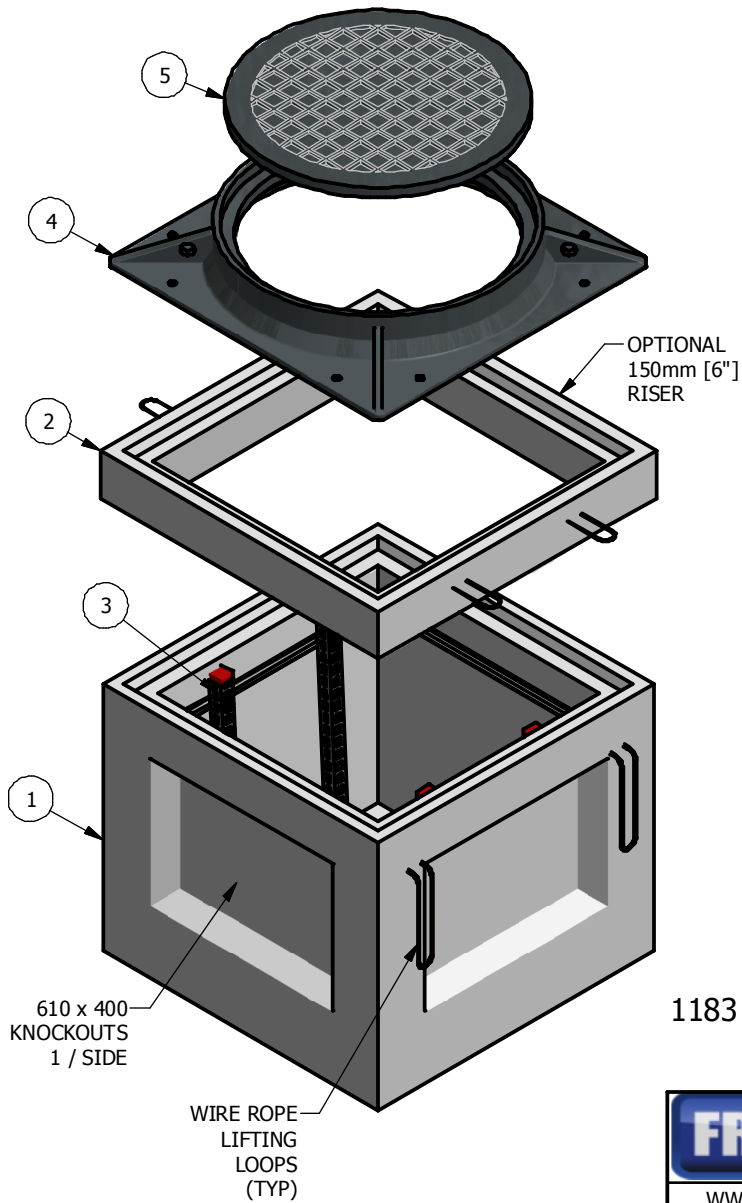
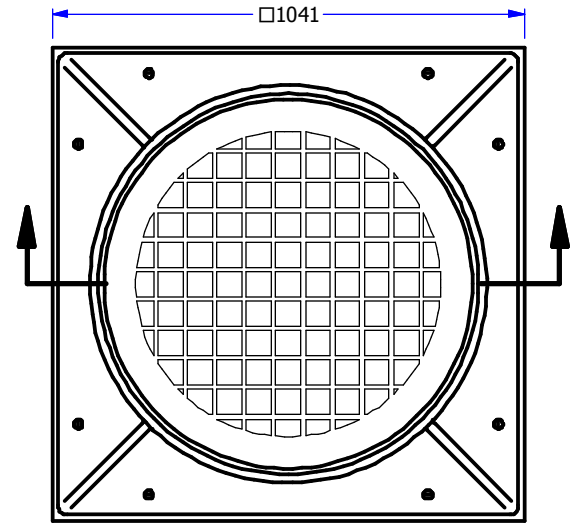


#	PART #	DESCRIPTION	ITEM #	KG
1	4040 SB B	4040 SERVICE BOX BASE UNIT	16297	803
2	4040 R6	4040 RISER 6" [150mm]	16292	123
3	P16F-700 KIT	4040 CABLE RACK KIT	16280	8
4	TR42SF	CAST IRON SQUARE FRAME	20341	150
5	TR42	CAST IRON COVER	20331	100



1183 kg

-PRODUCT MANUFACTURED IN ACCORDANCE WITH CSA A23.4
 -STEEL PRODUCTS MANUFACTURED UNDER CSA W47.1 IN ACCORDANCE WITH CSA W59
 -MIN CONCRETE STRENGTH AT 28 DAYS: 35 MPA
 -GRADE 400 REBAR REINFORCEMENT
 -DESIGNED FOR BCL625 H20 LIVE LOADING

FRASERWAY PRECAST LTD		WWW.FRASERWAYPRECAST.COM		604-534-2911	
4040 SERVICE BOX WITH CAST IRON MANHOLE LID COMPLETE					
SIZE	DRAWING #		REV	SHEET	
A	4040 SB MH C			1 / 1	