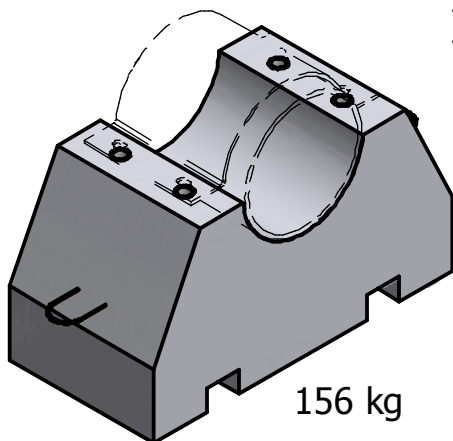


- PRODUCT TO BE MANUFACTURED IN ACCORDANCE WITH CSA A23.4
- C1 EXPOSURE CLASS - CSA A23.1
- MINIMUM CONCRETE STRENGTH AT 28 DAYS: 35 MPA
- HEAVILY REINFORCED WITH SYNTHETIC FIBREMESH @ 3.6kg/m³



FRASERWAY PRECAST LTD			
WWW.FRASERWAYPRECAST.COM		604-534-2911	
ANCHOR BLOCK (PIPE SADDLE)			
Ø10" DR17 HDPE PIPE			
SIZE	DRAWING #	13167	REV
A	AB 700x336x380		SHEET
			1/1