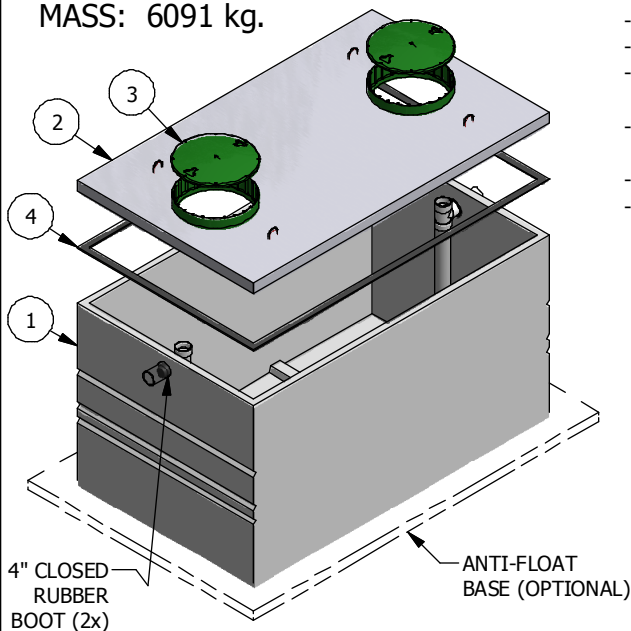


MASS: 6091 kg.



NOTES

- PRODUCT MANUFACTURED IN ACCORDANCE WITH CSA B66
- MINIMUM CONCRETE STRENGTH AT 28 DAYS: 32 MPA
- MAX WATER CEMENT RATIO OF 0.45 & AIR CONTENT OF 5-8%
- GRADE 400 REBAR REINFORCEMENT
- WWM IN ACCORDANCE TO ASTM A1064
- HARD STEEL FINISH
- 23.53 IGal/in (42.12 l/cm)

#	DESCRIPTION	ITEM #	KG
1	1200 IGAL PUMP CHAMBER BASE	14505	4594
2	1200 IGAL PUMP CHAMBER LID	14505	1497
3	POLYLOK RISER COVER Ø24"	20545	
4	CONSEAL CS-102	20405	
5	RIGID PVC PIPING 4" SCH40		

FRASERWAY PRECAST LTD

WWW.FRASERWAYPRECAST.COM

604-534-2911

1200 IGal [5453 I] PUMP CHAMBER

SIZE	DRAWING #	14545	REV	SHEET
A	1200G PC			1/1