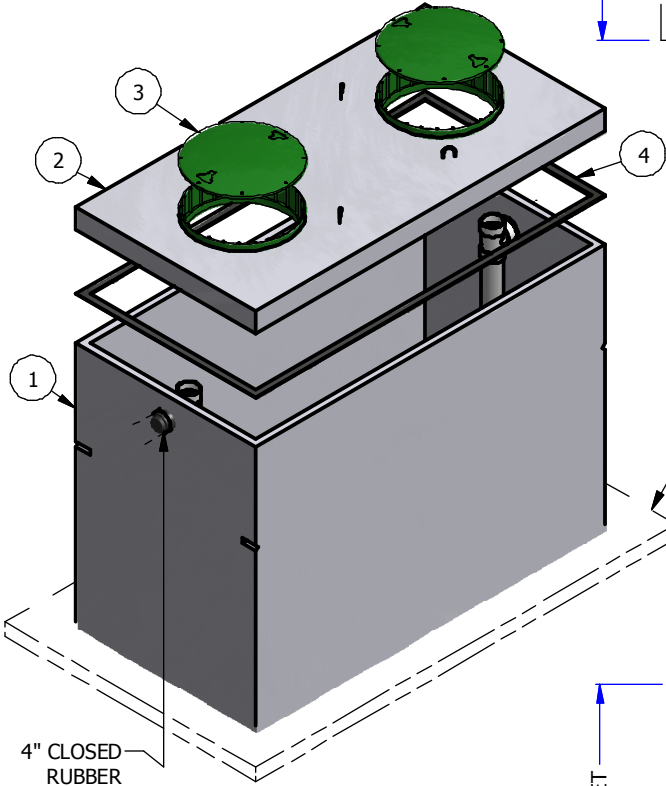
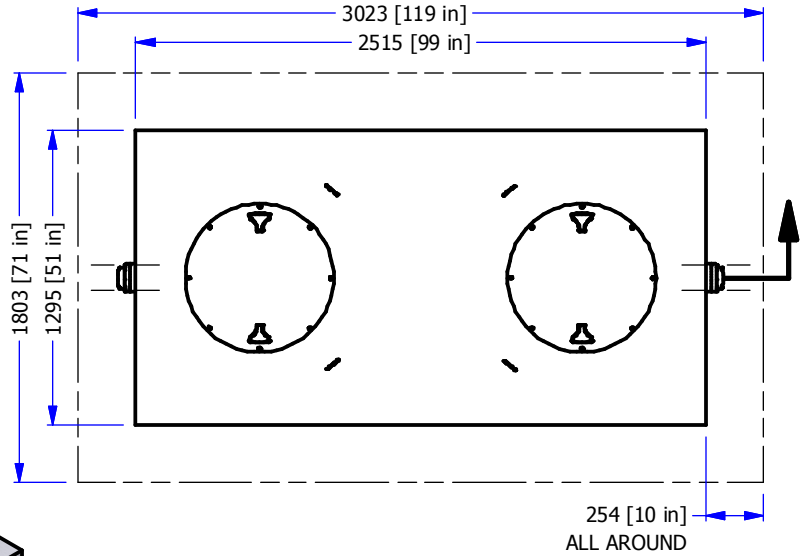
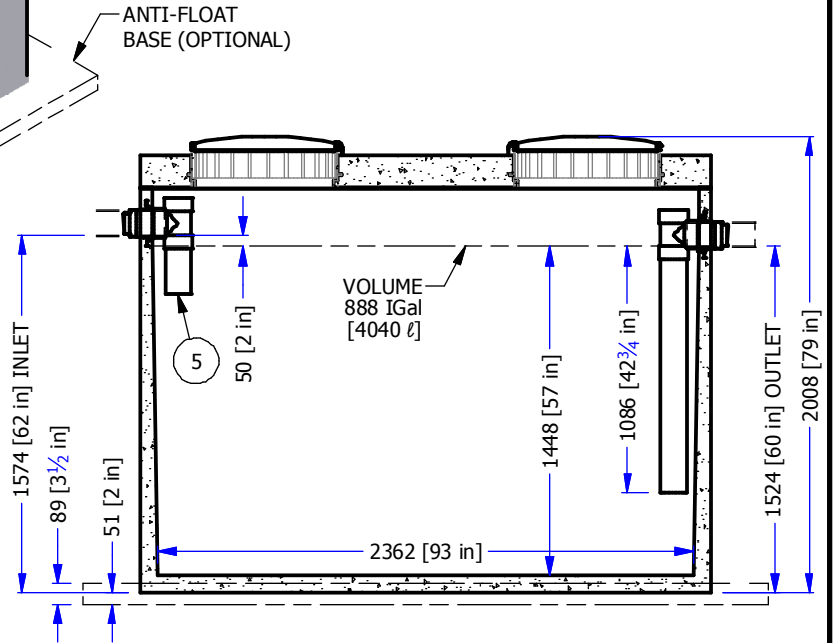


#	DESCRIPTION	ITEM #	KG
1	900 GAL PUMP CHAMBER BASE	14505	3039
2	900 GAL LID	14505	726
3	POLYLOK RISER COVER Ø24"	20545	
4	CONSEAL CS-102	20405	
5	RIGID PVC PIPING 4" s40		



MASS: 3765 kg.



FRASERWAY PRECAST LTD

WWW.FRASERWAYPRECAST.COM

604-534-2911

900 IGal [4090 l] PUMP CHAMBER

NOTES

- PRODUCT MANUFACTURED IN ACCORDANCE WITH CSA B66
- MINIMUM CONCRETE STRENGTH AT 28 DAYS: 32 MPA
- MAX WATER CEMENT RATIO OF 0.45 & AIR CONTENT OF 5-8%
- GRADE 400 REBAR REINFORCEMENT
- WWM IN ACCORDANCE TO ASTM A1064
- HARD STEEL FINISH

- 15.58 IGal/in (27.88 l/cm)

SIZE	DRAWING #	14530	REV	SHEET
A	900G PC			1/1