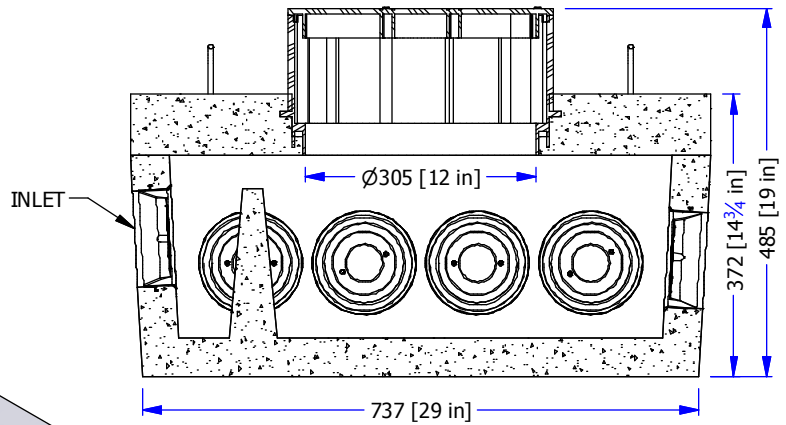
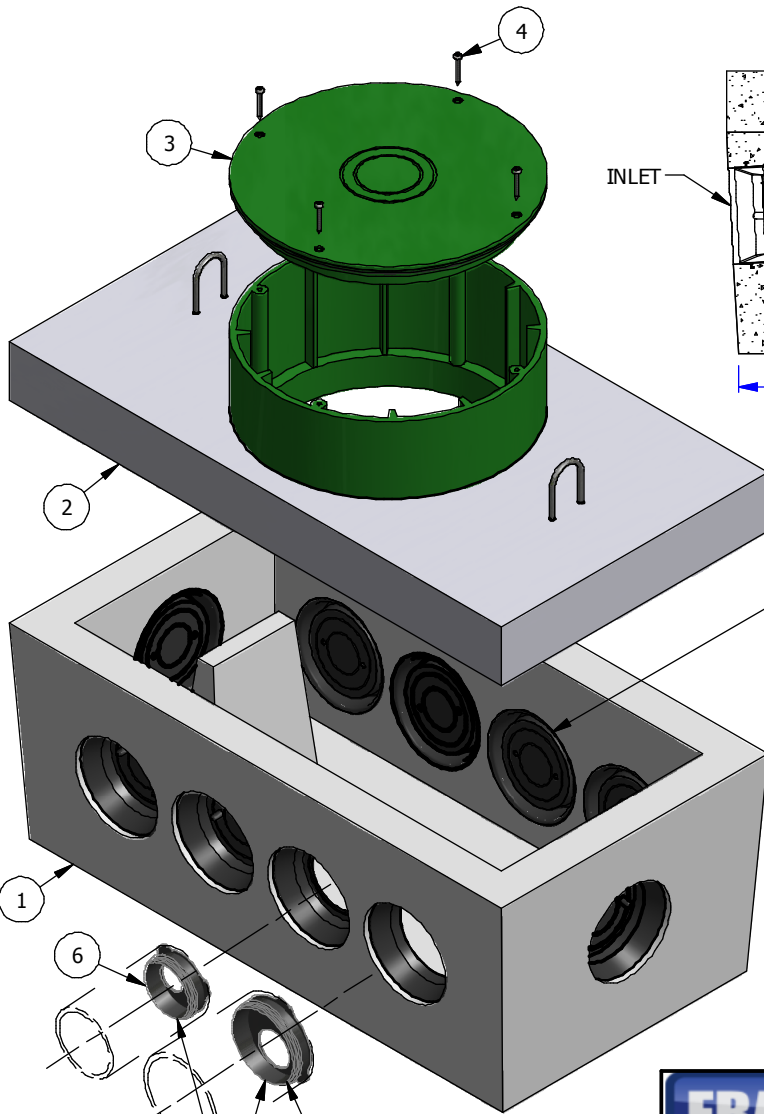
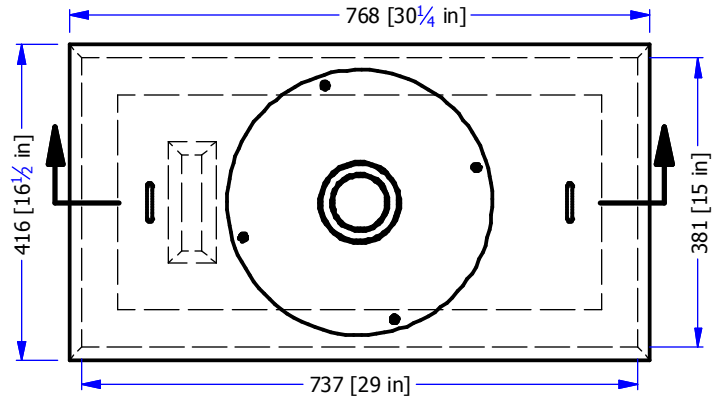


#	DESCRIPTION	ITEM #	KG
1	DISTRIBUTION BOX 10 BASE	14795	81
2	DISTRIBUTION BOX 10 LID	14800	45
3	POLYLOK Ø12" COVER	20510	1
4	Pan Head Screw #10 x 1½"		0
5	ROTOFLOW 3050-4"		0
6	ROTOFLOW 3050-3"		0



POLYLOK (8x)
 POLY I SEAL 3000
 TEAR OUTS
 FOR 2" sch40,
 3" SDR 35 or sch40,
 4" SDR 35 or sch40,
 or 4" CORRUGATED

NOTES

- PRODUCT MANUFACTURED IN ACCORDANCE WITH CSA A23.4
- MINIMUM CONCRETE STRENGTH AT 28 DAYS: 32 MPA
- GRADE 400 REBAR REINFORCEMENT
- WWM IN ACCORDANCE TO ASTM A1064
- HARD STEEL FINISH

OPTIONAL
 ROTOFLOW 3050
 Ø3" OR Ø4"

127 kg

FRASERWAY PRECAST LTD			
WWW.FRASERWAYPRECAST.COM		604-534-2911	
DISTRIBUTION BOX 10 HOLE			
SIZE	DRAWING #	14795	REV SHEET
A	DB 10		1 / 1