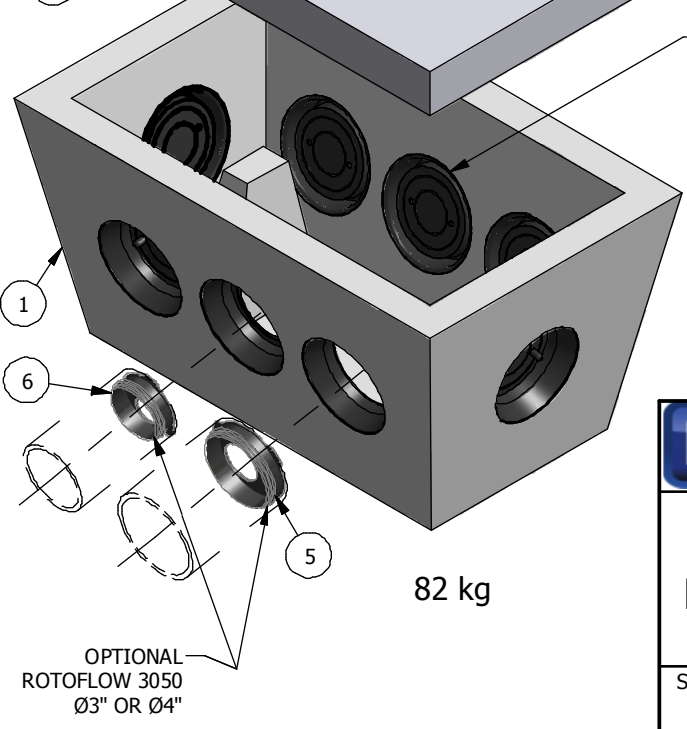
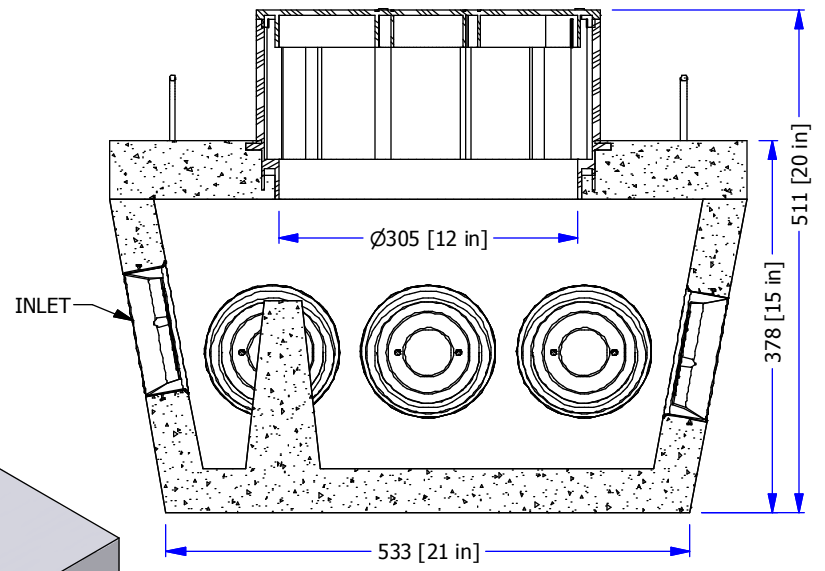
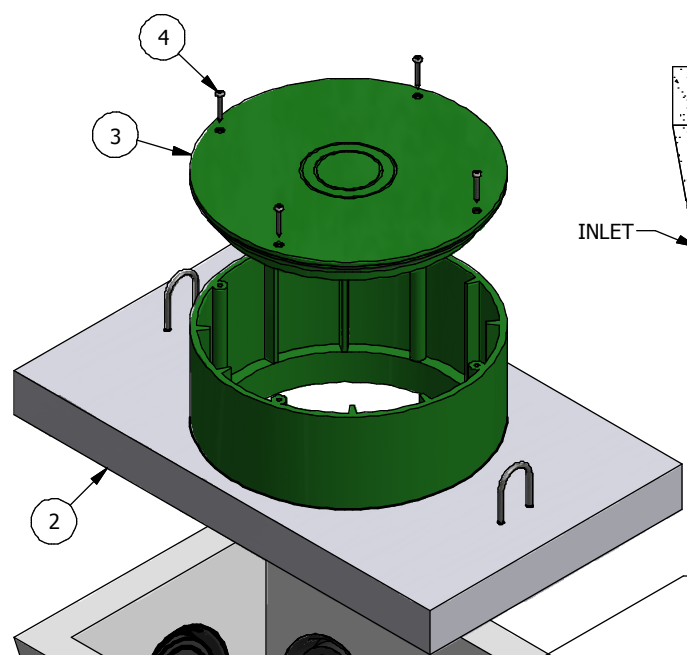
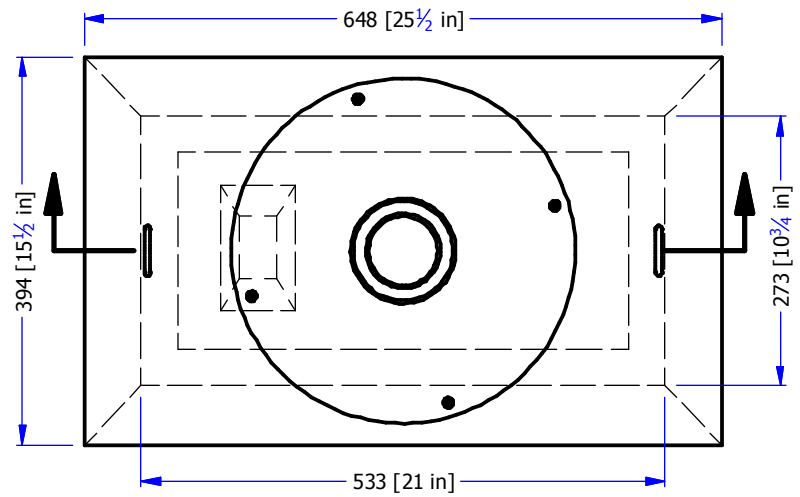


#	DESCRIPTION	ITEM #	KG
1	DISTRIBUTION BOX 7 BASE	14785	56
2	DISTRIBUTION BOX 7 LID	14790	26
3	POLYLOK Ø12" COVER	20510	1
4	Pan Head Screw #10 x 1½"		0
5	ROTOFLOW 3050-4"		0
6	ROTOFLOW 3050-3"		0



POLYLOK (8x)
 POLY I SEAL 3000
 TEAR OUTS
 FOR 2" sch40,
 3" SDR 35 or sch40,
 4" SDR 35 or sch40,
 or 4" CORRUGATED

- NOTES
- PRODUCT MANUFACTURED IN ACCORDANCE WITH CSA A23.4
 - MINIMUM CONCRETE STRENGTH AT 28 DAYS: 32 MPA
 - GRADE 400 REBAR REINFORCEMENT
 - WWM IN ACCORDANCE TO ASTM A1064
 - HARD STEEL FINISH



WWW.FRASERWAYPRECAST.COM

604-534-2911

DISTRIBUTION BOX 7 HOLE

SIZE	DRAWING #	14785	REV	SHEET
A	DB 7			1 / 1