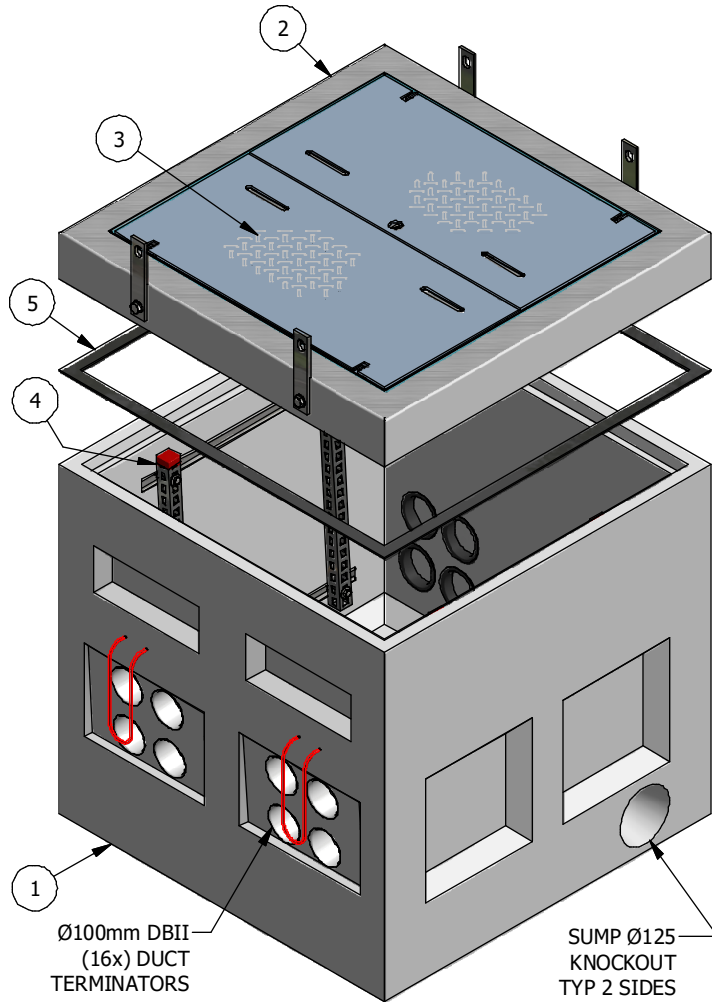


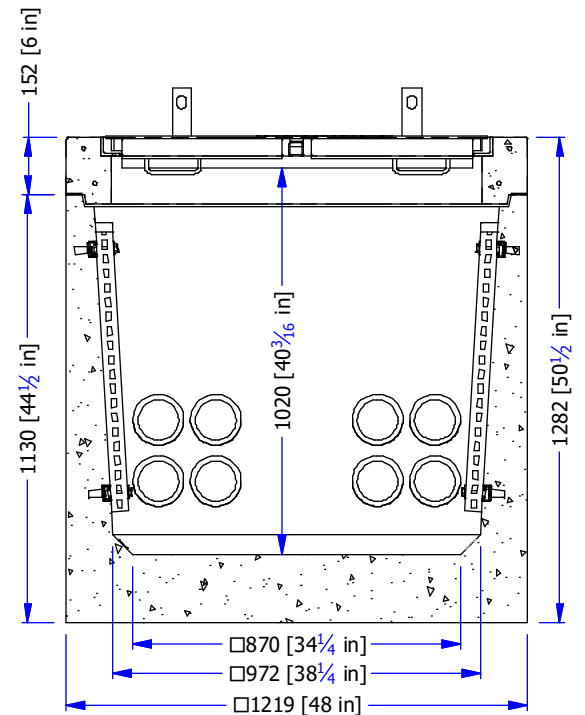
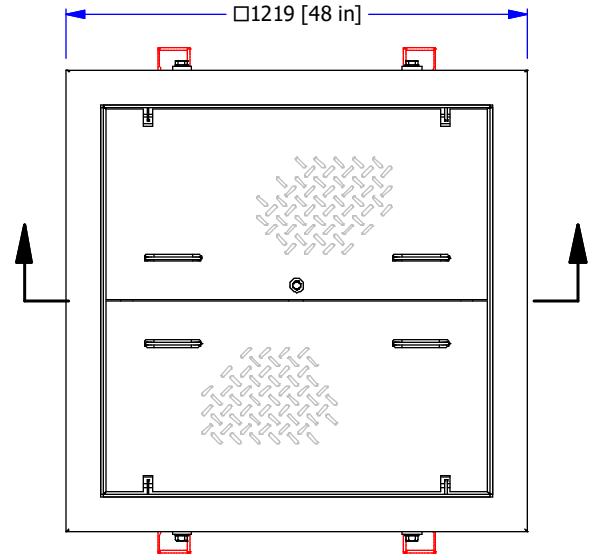
#	PART #	DESCRIPTION	CODE #	KG
1	1.2M CV DT	1.2M COMMUNICATION VAULT w/ DUCT TERMINATORS	42111	1456
2	1.2M HC	1.2M HATCH LID COLLAR	42116	219
3	1.2M KIT BD	1.2M BOLT DOWN PANELS KIT	42117	84
4	1.2M CRK	1.2M CABLE RACK KIT	42121	9
5	CS-101	CONSEAL CS-101 [1.2 ROLLS ]	52495	1



1769 kg

Ø100mm DBII  
(16x) DUCT  
TERMINATORS

SUMP Ø125  
KNOCKOUT  
TYP 2 SIDES



SECTION VIEW

- PRODUCT MANUFACTURED IN ACCORDANCE WITH CSA A23.4
- STEEL PRODUCTS MANUFACTURED UNDER CSA W47.1 IN ACCORDANCE WITH CSA W59
- MIN CONCRETE STRENGTH AT 28 DAYS: 35 MPA
- GRADE 400 REBAR REINFORCEMENT
- DESIGNED FOR BOULEVARD USE - BCL625 H20 OCCASIONAL LOADING

WWW.FRASERWAYPREKAST.COM

(604) 534-2911



TITLE  
1.2M COMMUNICATIONS VAULT w/ DUCT  
TERMINATORS, BOLT DOWN HATCH LID AND  
CABLE RACK KIT

SIZE A SHOP DRAWING

1.2M CV DT HL CR

REV SHEET  
1/1