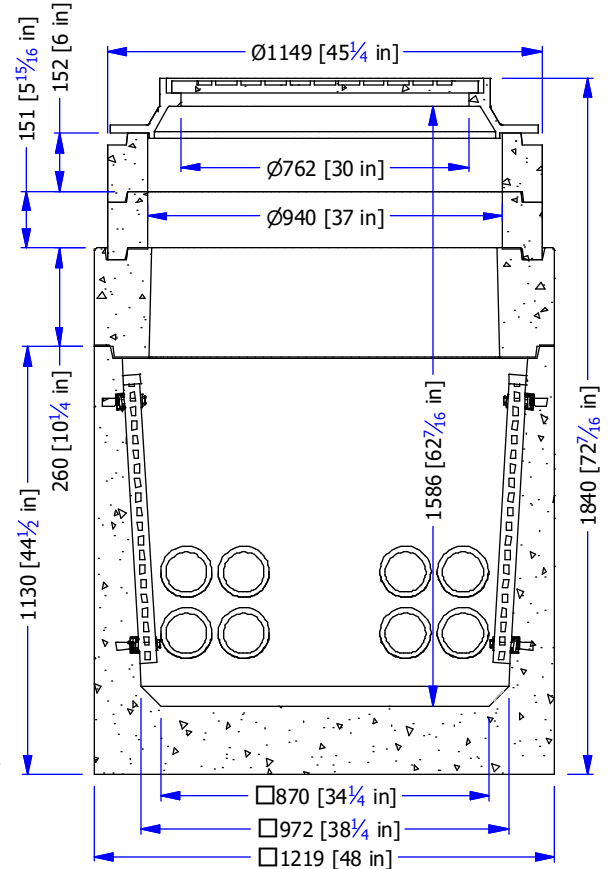
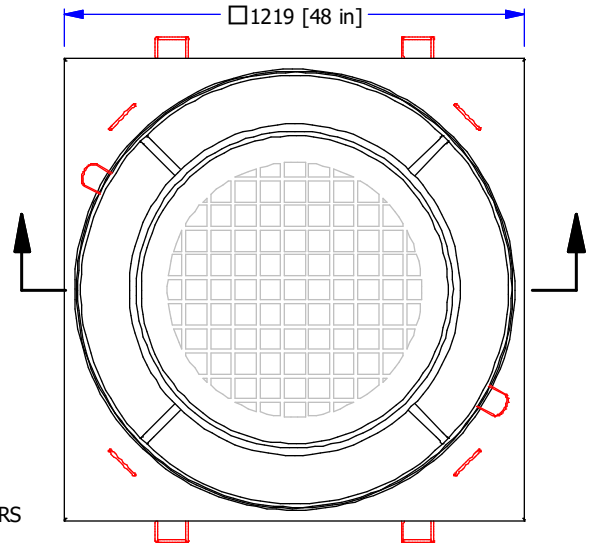
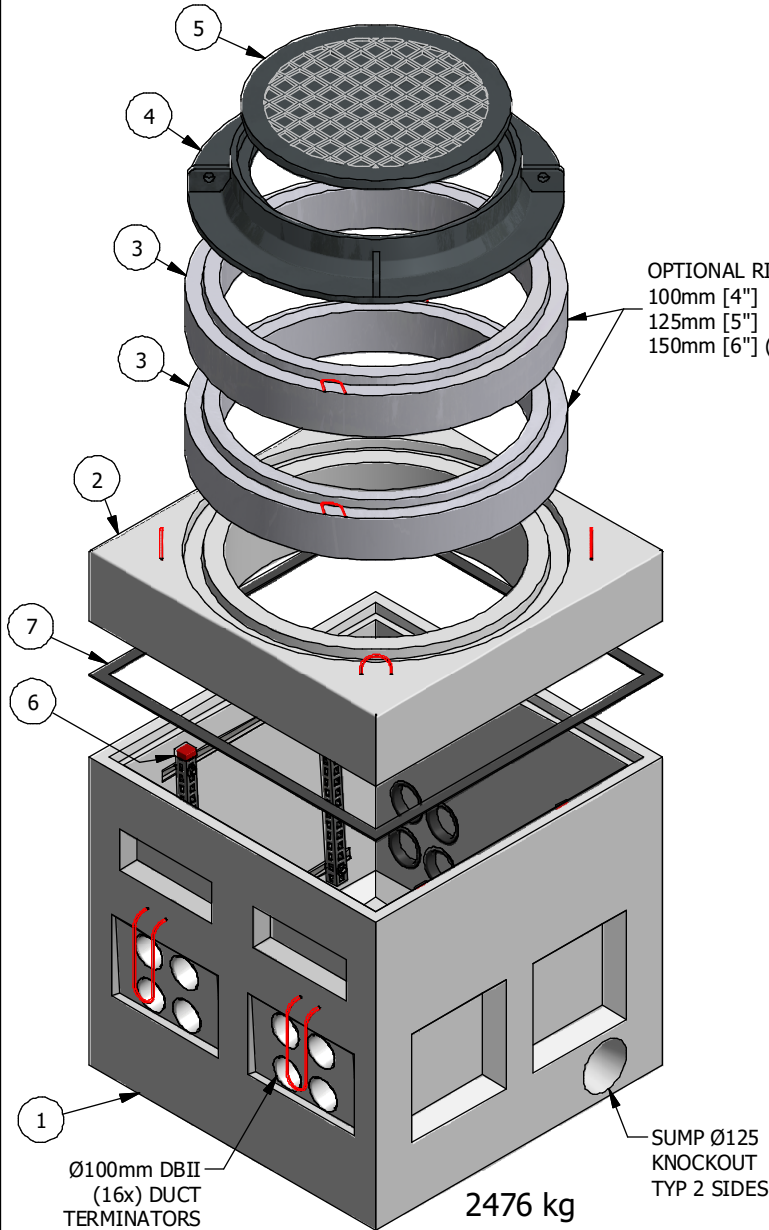


#	PART #	DESCRIPTION	CODE #	KG
1	1.2M CV DT	1.2M COMMUNICATION VAULT w/ DUCT TERMINATORS	42111	1456
2	1.2M MH	1.2M MANHOLE LID	42115	521
3	VRR \varnothing 940x150	\varnothing 940 [37"] VAULT RISER RING x150 [6"]	42103	122
4	TR42 FRAME	CAST IRON FRAME TR42	47438	145
5	TR42 COVER	CAST IRON COVER TR42	47444	100
6	1.2M CRK	1.2M CABLE RACK KIT	42121	9
7	CS-101	CONSEAL CS-101 [1.2 ROLLS]	52495	1



SECTION VIEW

- PRODUCT MANUFACTURED IN ACCORDANCE WITH CSA A23.4
- STEEL PRODUCTS MANUFACTURED UNDER CSA W47.1 IN ACCORDANCE WITH CSA W59
- MIN CONCRETE STRENGTH AT 28 DAYS: 35 MPA
- GRADE 400 REBAR REINFORCEMENT
- DESIGNED FOR ROADWAY USE - BCL625 H20 LIVE LOADING

WWW.FRASERWAYPREKAST.COM

(604) 534-2911



TITLE
**1.2M COMM VAULT w/ DUCT TERMINATORS,
MANHOLE LID, RISERS, CAST IRON FRAME &
COVER & CABLE RACK KIT**

SIZE SHOP DRAWING
A

1.2M CV DT MH R CI CR

REV SHEET
1/1