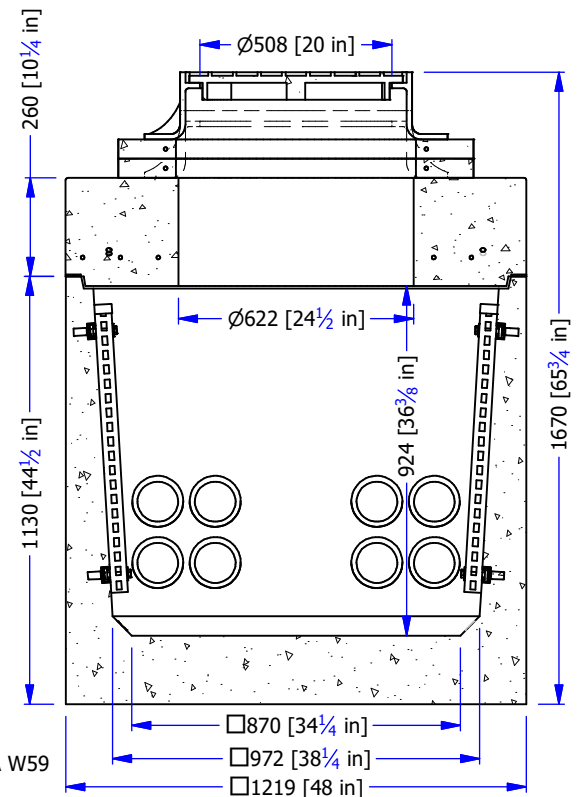
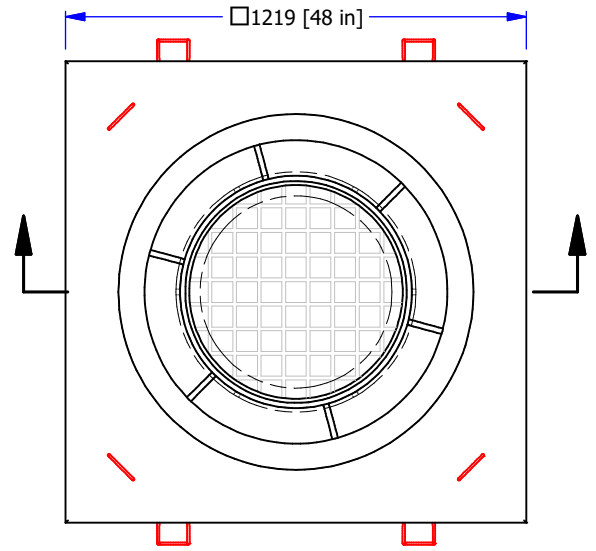
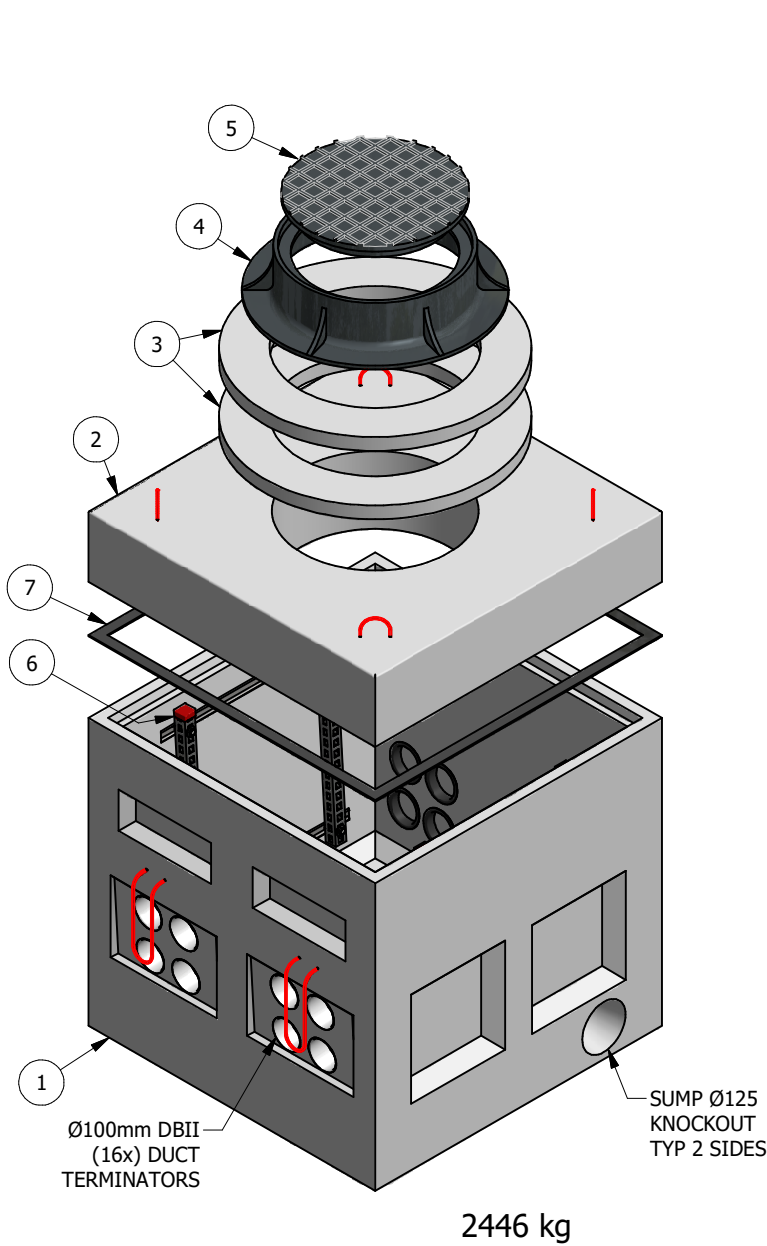


#	PART #	DESCRIPTION	CODE #	KG
1	1.2M CV DT	1.2M COMMUNICATION VAULT w/ DUCT TERMINATORS	14163	1456
2	1.2M MH Ø24	1.2M MANHOLE LID w/ Ø24½" OPENING FOR TR18	11106	777
3	MH GR ø25	GRADE RING MANHOLE Ø635 [25"] x 50 [2"]	12691	45
4	TR18 FRAME	CAST IRON FRAME TR18	17209	61
5	TR18 COVER	CAST IRON COVER TR18	17218	51
6	1.2M CRK	1.2M CABLE RACK KIT	14160	9
7	CS-101	CONSEAL CS-101 [1.2 ROLLS]	14352	1



SECTION VIEW

- PRODUCT MANUFACTURED IN ACCORDANCE WITH CSA A23.4
- STEEL PRODUCTS MANUFACTURED UNDER CSA W47.1 IN ACCORDANCE WITH CSA W59
- MIN CONCRETE STRENGTH AT 28 DAYS: 35 MPA
- GRADE 400 REBAR REINFORCEMENT
- DESIGNED FOR ROADWAY USE - BCL625 H20 LIVE LOADING

WWW.FRASERWAYPREKAST.COM

(604) 534-2911



1.2M COMM VAULT w/ DUCT TERMINATORS,
MANHOLE Ø24" LID, GRADE RINGS, TR18 C.I.
FRAME & COVER & CABLE RACK KIT

SIZE	DRAWING #	REV	SHEET
A	1.2M CV DT MH R CI CR		1/1