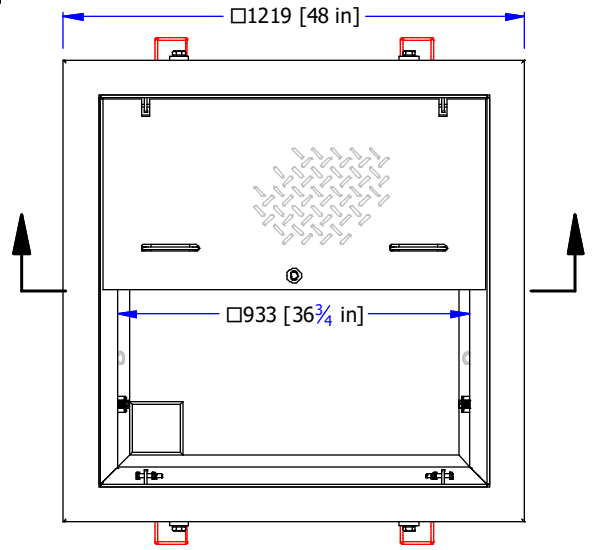
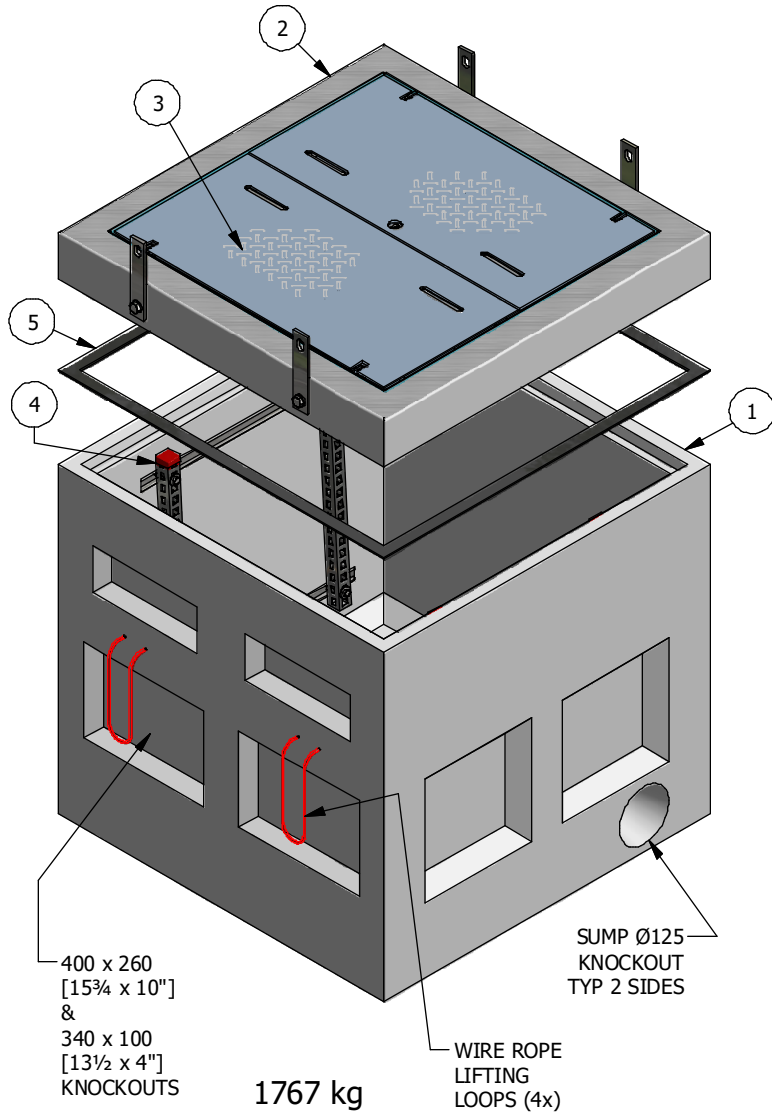
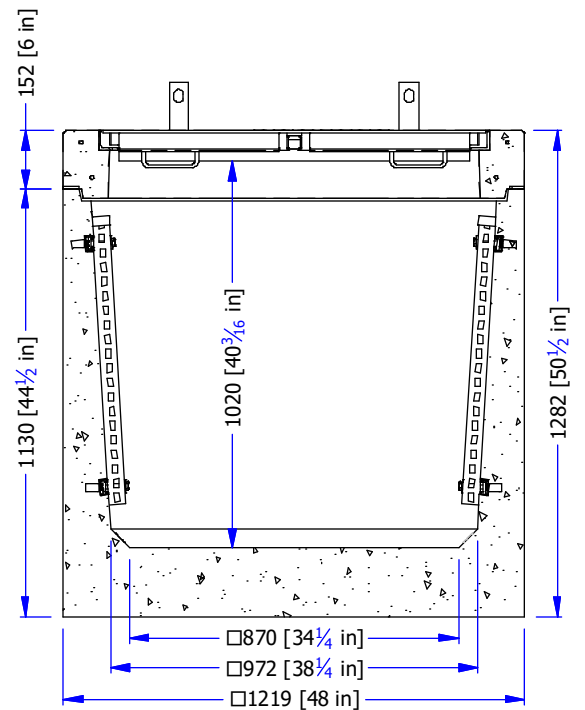


#	PART #	DESCRIPTION	CODE #	KG
1	1.2M CV KO	1.2M COMMUNICATION VAULT w/ KNOCKOUTS	42112	1454
2	1.2M HC	1.2M HATCH LID COLLAR	42116	219
3	1.2M KIT BD	1.2M BOLT DOWN PANELS KIT	42117	84
4	1.2M CRK	1.2M CABLE RACK KIT	42121	9
5	CS-101	CONSEAL CS-101 [1.2 ROLLS]	52495	1



1/2 COVER REMOVED FOR CLARITY



SECTION VIEW

- PRODUCT MANUFACTURED IN ACCORDANCE WITH CSA A23.4
- STEEL PRODUCTS MANUFACTURED UNDER CSA W47.1 IN ACCORDANCE WITH CSA W59
- MIN CONCRETE STRENGTH AT 28 DAYS: 35 MPA
- GRADE 400 REBAR REINFORCEMENT
- DESIGNED FOR BOULEVARD USE - BCL625 H20 OCCASIONAL LOADING

WWW.FRASERWAYPREKAST.COM

(604) 534-2911



TITLE

1.2M COMMUNICATIONS VAULT w/
KNOCKOUTS, BOLT DOWN HATCH LID &
CABLE RACK KIT

SIZE
A

SHOP DRAWING

REV

SHEET
1/1

1.2M CV KO HL BD CR