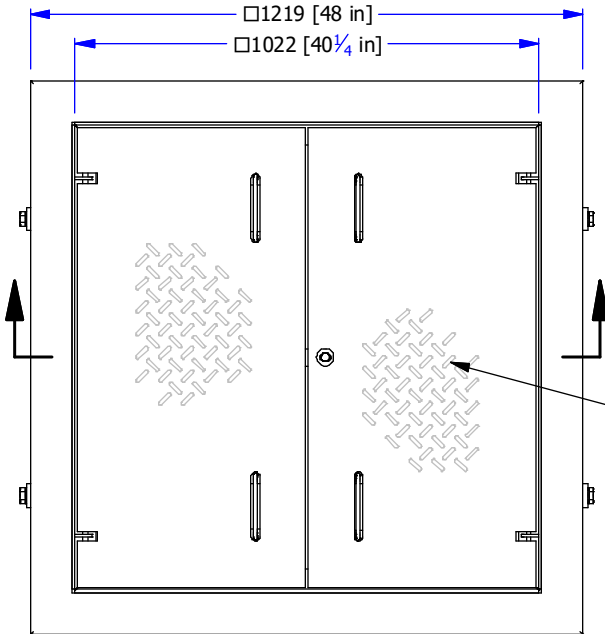
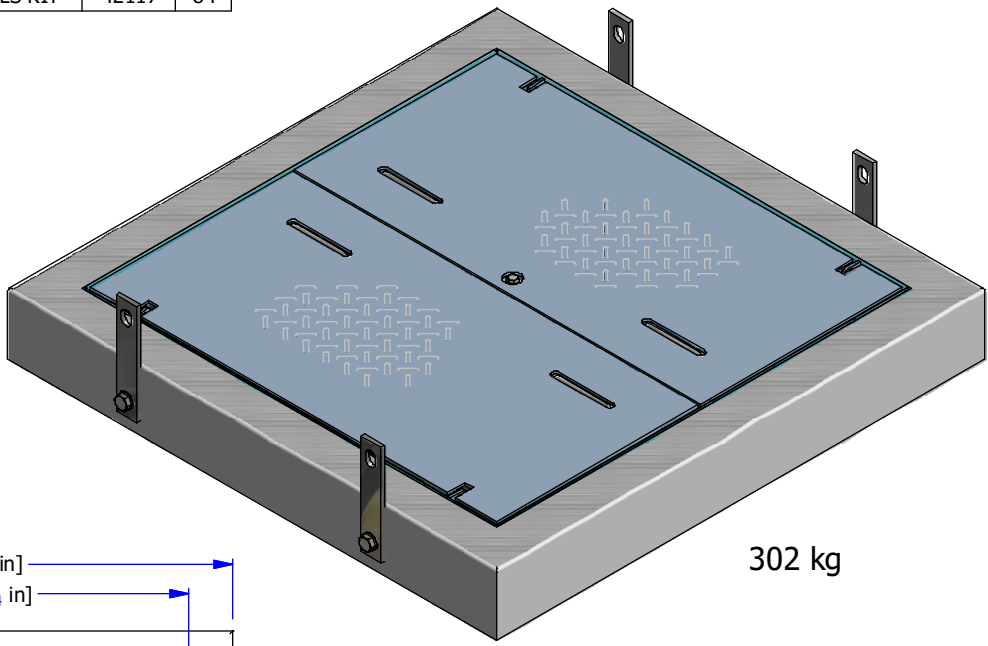
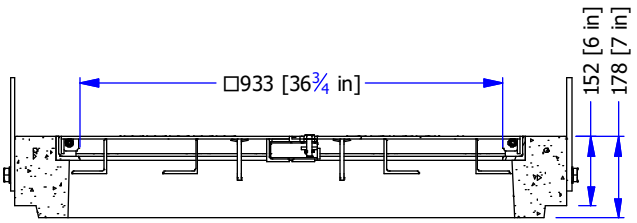


#	PART #	DESCRIPTION	ITEM #	KG
1	1.2M HC	1.2M HATCH LID COLLAR	42116	219
2	1.2M KIT BD	1.2M BOLT DOWN PANELS KIT	42117	84



- AVAILABLE LID KIT OPTIONS:
- GALVANIZED STEEL (SHOWN)
 - RECESSED PADLOCK
 - BOLTDOWN (SHOWN)
 - PAINTED STEEL
 - REMOTE READER HOLES
 - WELD MARKINGS (E.G. "ELEC")



SECTION VIEW

- NOTES
- PRODUCT MANUFACTURED IN ACCORDANCE WITH CSA A23.4
 - STEEL PRODUCTS MANUFACTURED UNDER CSA W47.1 IN ACCORDANCE WITH CSA W59
 - MIN CONCRETE STRENGTH AT 28 DAYS: 35 MPA
 - GRADE 400 REBAR REINFORCEMENT
 - DESIGNED FOR BCL625 H20 OCCASIONAL LOADING
 - HARD STEEL FINISH

WWW.FRASERWAYPREKAST.COM (604) 534-2911



TITLE

1.2M HATCH LID BOLTDOWN ASSEMBLY

SIZE	SHOP DRAWING	REV	SHEET
A			1/1

1.2M HL BD