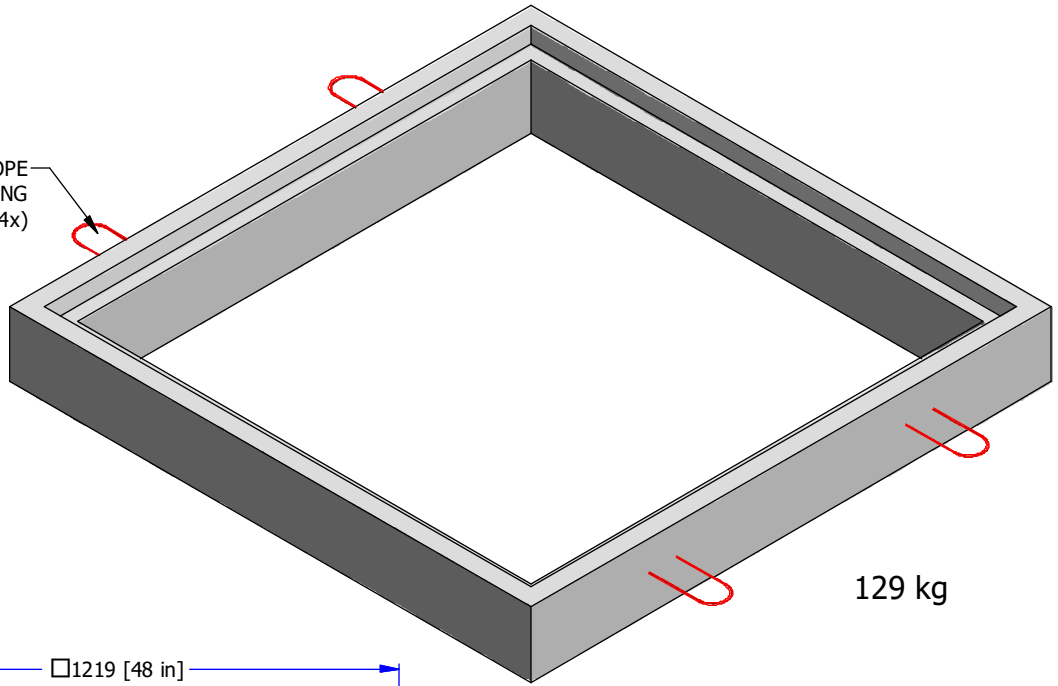
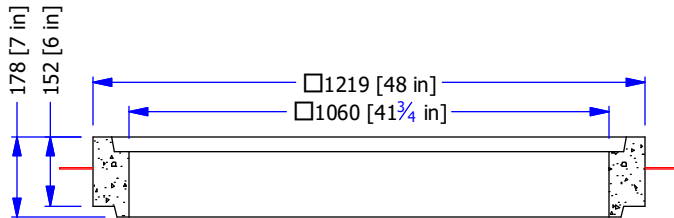
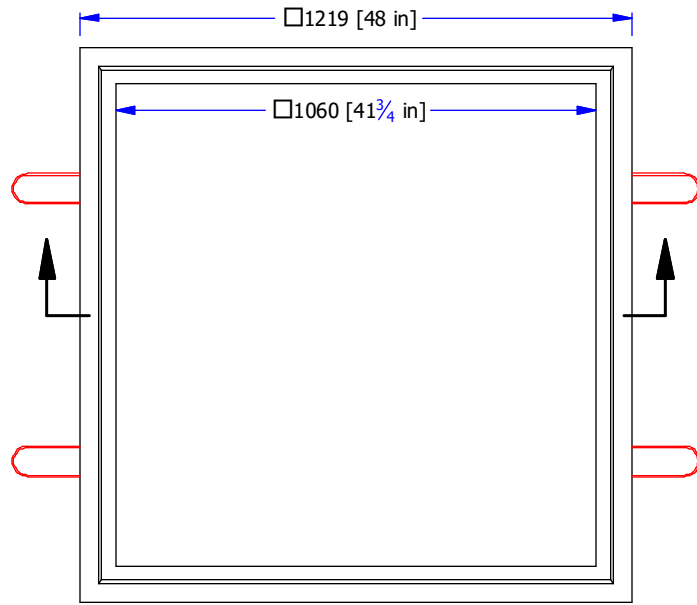


WIRE ROPE
LIFTING
LOOPS (4x)



129 kg



SECTION

- PRODUCT MANUFACTURED IN ACCORDANCE WITH CSA A23.4
- STEEL PRODUCTS MANUFACTURED UNDER CSA W47.1 IN ACCORDANCE WITH CSA W59
- MIN CONCRETE STRENGTH AT 28 DAYS: 35 MPA
- EXPOSURE CLASS C1
- HARD STEEL FINISH
- GRADE 400 REBAR REINFORCEMENT
- DESIGNED FOR ROADWAY USE - BCL625 H20 LIVE LOADING

WWW.FRASERWAYPREKAST.COM

(604) 534-2911

TITLE

1.2M VAULT RISER 150mm [6"]



SIZE
A

SHOP DRAWING

42120

REV

SHEET

1.2M R150

1/1