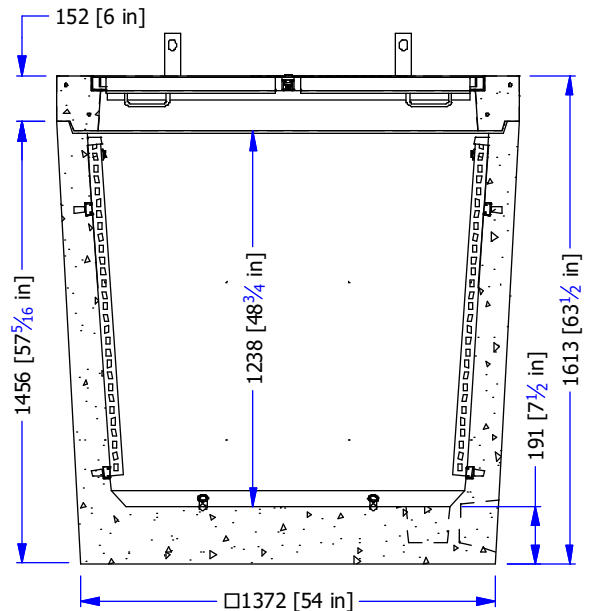
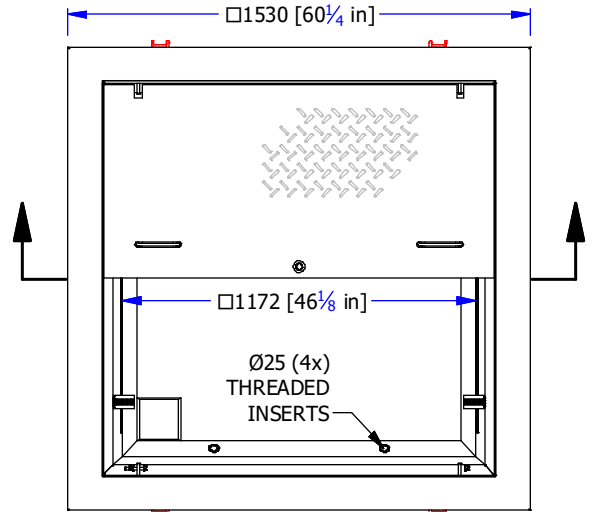
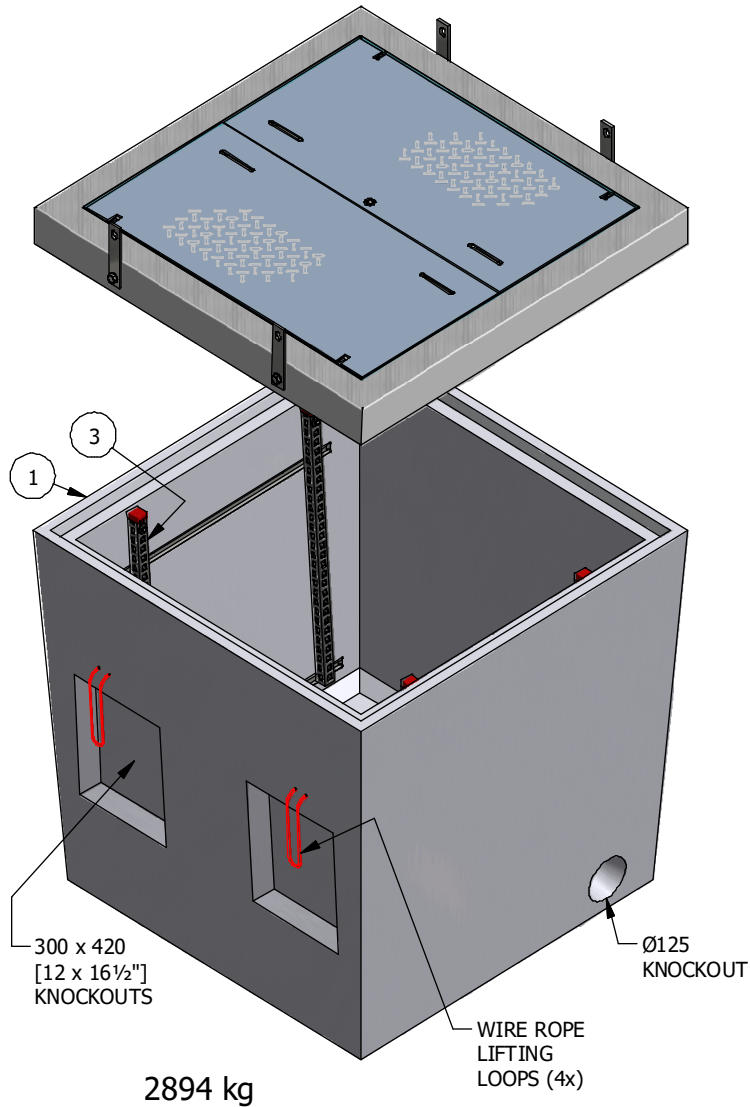


#	PART #	DESCRIPTION	CODE #	KG
1	1.5M CV KO	1.5M COMMUNICATION VAULT WITH KNOCKOUTS	42123	2430
2	1.5M HL BD	1.5M HATCH LID BOLT DOWN	42127 (42128)	451
3	1.5M CRK	CABLE RACK KIT	42133	13



- PRODUCT MANUFACTURED IN ACCORDANCE WITH CSA A23.4
- STEEL PRODUCTS MANUFACTURED UNDER CSA W47.1 IN ACCORDANCE WITH CSA W59
- MIN CONCRETE STRENGTH AT 28 DAYS: 35 MPA
- GRADE 400 REBAR REINFORCEMENT
- DESIGNED FOR BCL625 H20 OCCASIONAL LOADING

WWW.FRASERWAYPREKAST.COM

(604) 534-2911



TITLE

## 1.5m COMMUNICATION VAULT w/ KNOCKOUTS & BOLT DOWN HATCH LID & CABLE RACK KIT

SIZE  
A

SHOP DRAWING

REV

SHEET  
1/1

1.5M CV KO HL BD CR