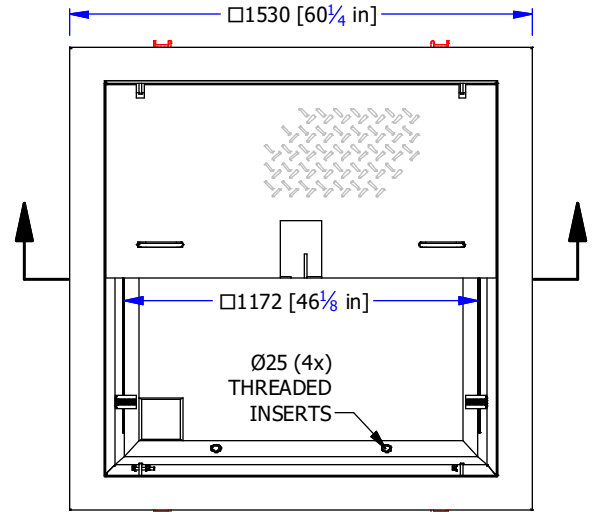
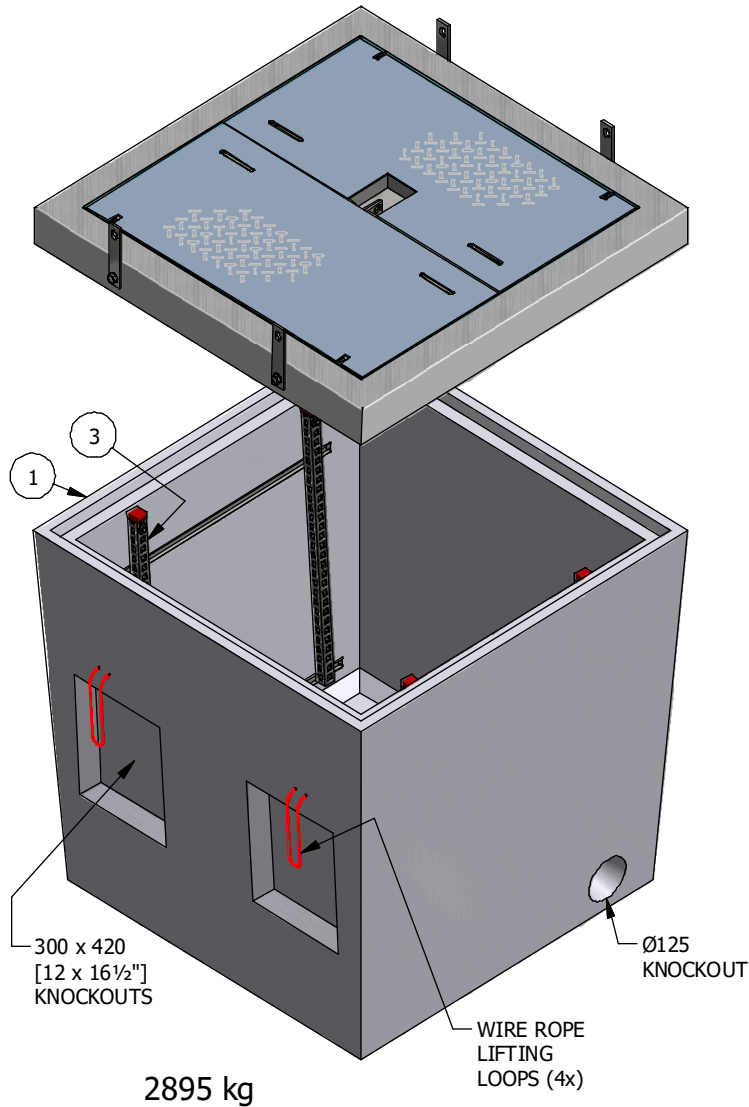
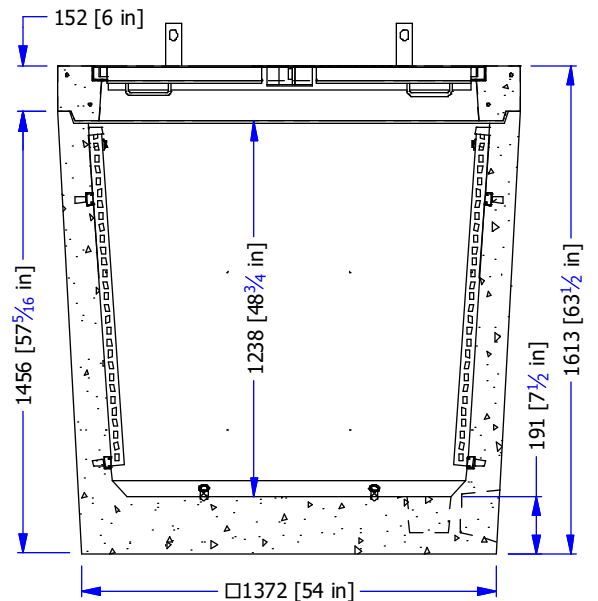


#	PART #	DESCRIPTION	CODE #	KG
1	1.5M CV KO	1.5M COMMUNICATION VAULT WITH KNOCKOUTS	42123	2430
2	1.5M HL PL	1.5M HATCH LID PADLOCK RECESS	42127 (42129)	453
3	1.5M CRK	CABLE RACK KIT	42133	13



½ COVER REMOVED FOR CLARITY



- PRODUCT MANUFACTURED IN ACCORDANCE WITH CSA A23.4
- STEEL PRODUCTS MANUFACTURED UNDER CSA W47.1 IN ACCORDANCE WITH CSA W59
- MIN CONCRETE STRENGTH AT 28 DAYS: 35 MPA
- GRADE 400 REBAR REINFORCEMENT
- DESIGNED FOR BCL625 H20 OCCASIONAL LOADING

WWW.FRASERWAYPREKAST.COM

(604) 534-2911



TITLE

1.5m COMMUNICATION VAULT w/  
KNOCKOUTS & RECESSED PADLOCK HATCH  
LID & CABLE RACK KIT

SIZE SHOP DRAWING

A

REV SHEET

1.5M CV KO HL PL CR

1/1