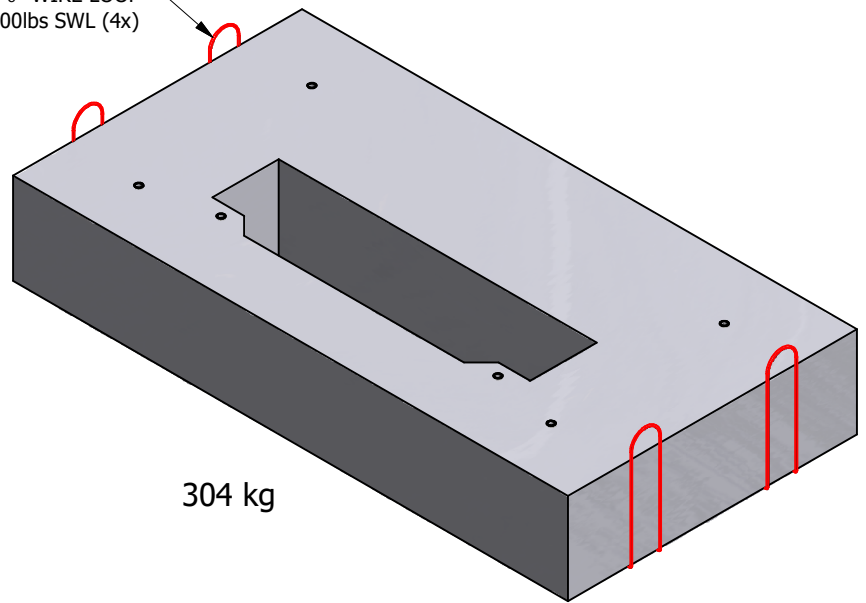
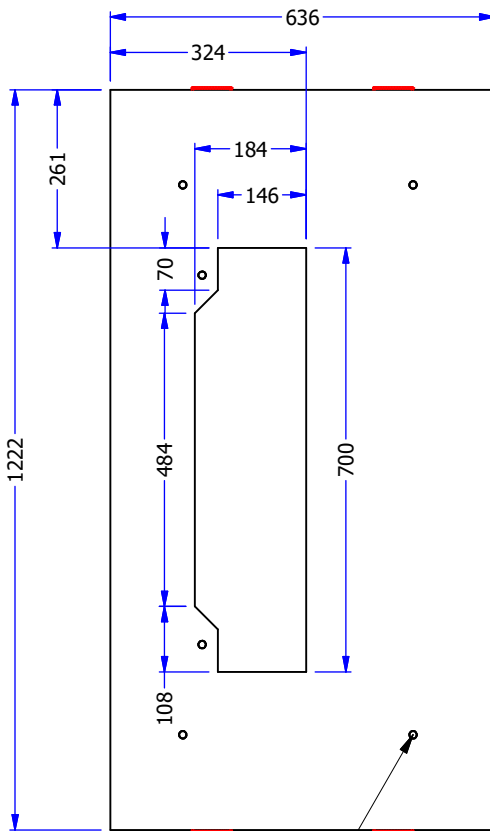


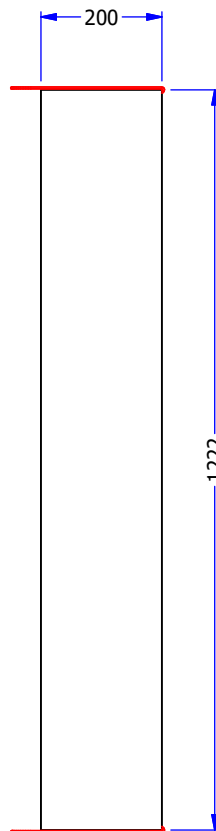
1/8" WIRE LOOP
500lbs SWL (4x)



304 kg



THREADED INSERT
1/2-13unc (6x)



- PRODUCT MANUFACTURED IN ACCORDANCE WITH CSA A23.4
- MINIMUM CONCRETE STRENGTH AT 28 DAYS: 32 MPA
- MINIMUM CONCRETE STRIPPING STRENGTH: 10 MPA
- GRADE 400 REBAR
- STEEL TROWEL FINISH

WWW.FRASERWAYPREKAST.COM

(604) 534-2911



FRASERWAY PREKAST LTD
A BMGROUP COMPANY

TELUS 16 GPON PAD
1222 x 636 x 200

SIZE
A

DRAWING #

REV SHEET
1/1

16 GPON