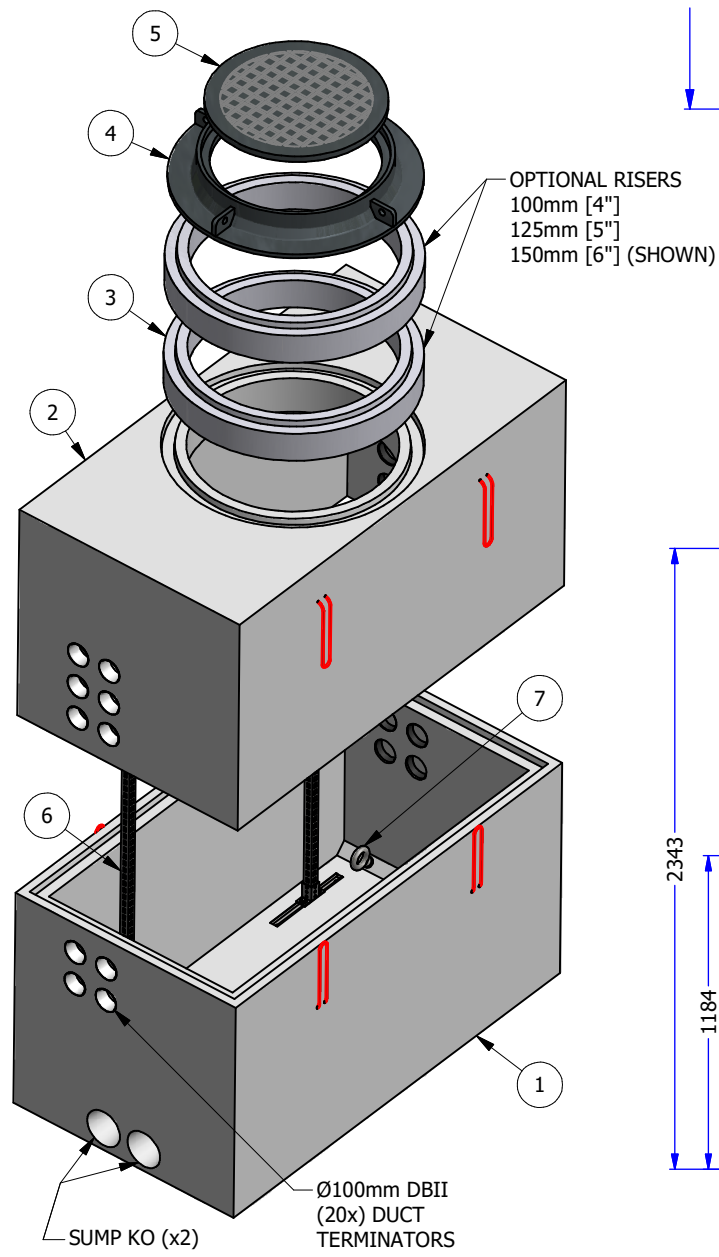
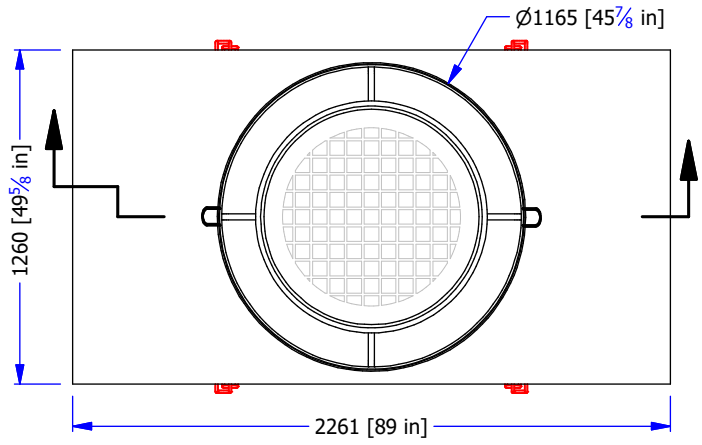
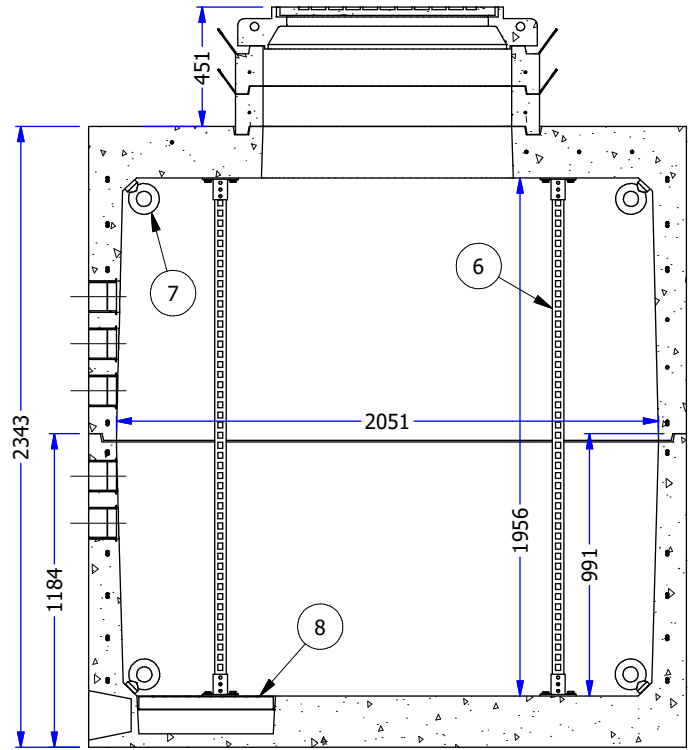


#	PART #	DESCRIPTION	ITEM #	KG
1	2102 CV B	2102 COMM VAULT BASE	14199	2968
2	2102 CV MH	2102 COMM VAULT MANHOLE	14199	2714
3	VRR $\varnothing$ 940x150	$\varnothing$ 940 VAULT RISER RING x150	14106	122
4	TR42 FRAME	CAST IRON FRAME TR42	17311	145
5	TR42 COVER	CAST IRON COVER TR42	17329	100
6	2102 CRK	CABLE RACK KIT	14202	14
7	EB $\varnothing$ 1 $\frac{1}{4}$ NC	EYEBOLT $\varnothing$ 1 $\frac{1}{4}$ -7unc	14205	2
8	SG 18x2x20	SHURGRIP GRATING		4



6206 kg



- MANUFACTURED IN ACCORDANCE WITH CSA A23.4
- MINIMUM CONCRETE STRENGTH AT 28 DAYS: 35 MPA
- GRADE 400 REBAR
- HARD STEEL FINISH
- DESIGNED FOR ROADWAY USE BCL625 H20 LIVE LOADING

WWW.FRASERWAYPREKAST.COM (604) 534-2911



## 2102 COMMUNICATIONS VAULT w/ MANHOLE ACCESS

SIZE <b>A</b>	DRAWING #	REV	SHEET
			<b>1/1</b>

2102 CV