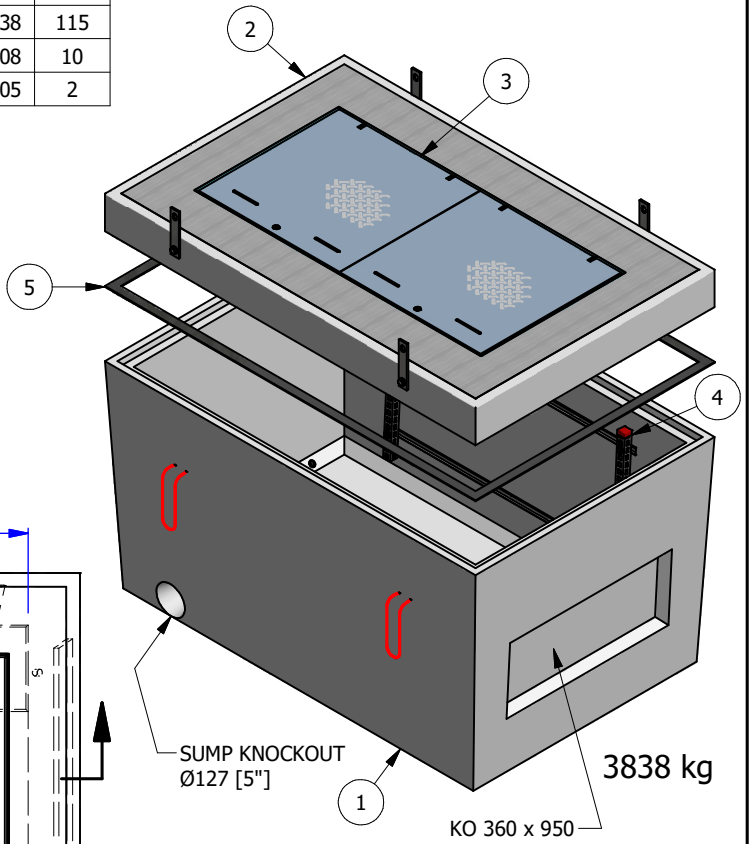
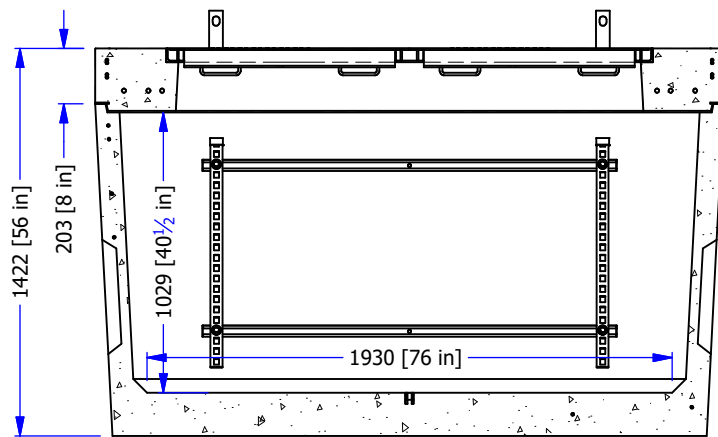
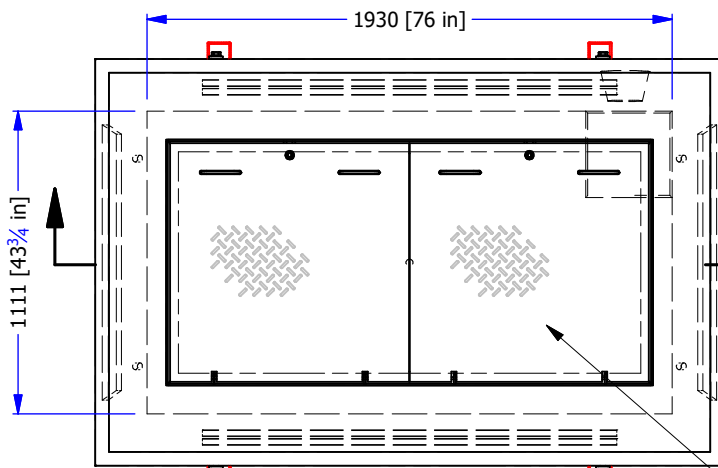


#	PART #	DESCRIPTION	ITEM #	KG
1	2121 B CV KO	2121/2122 COMM VAULT BASE		2613
2	2121 HC BD	2121 HATCH COLLAR BOLT DOWN FRAME	14226	1097
3	2P BD KIT	2 PANEL BOLTDOWN HATCH LID KIT	14238	115
4	2121 CRK	2121 CABLE RACK KIT	16708	10
5	CS-102 2122	CONSEAL CS-102	20405	2



AVAILABLE LID OPTIONS
 BLVD (OFF ROAD) GALV BOLTDOWN (SHOWN)
 BLVD (OFF ROAD) GALV w RECESSED PADLOCK
 BLVD (OFF ROAD) PAINTED STEEL BOLTDOWN
 REMOTE READER HOLES
 WELD MARKINGS (E.G. "ELEC", "COMM")

- PRODUCT MANUFACTURED IN ACCORDANCE WITH CSA A23.4
- MINIMUM CONCRETE STRENGTH AT 28 DAYS: 35 MPA
- GRADE 400 REBAR
- HARD STEEL FINISH
- VAULT DESIGNED FOR BCL625 H20 LIVE LOADING
- HATCH LID DESIGNED FOR BOULEVARD USE - H20 STATIC LOADING
- STEEL PRODUCTS MANUFACTURED UNDER CSA W47.1 IN ACCORDANCE WITH CSA W59

WWW.FRASERWAYPREKAST.COM

(604) 534-2911



2121 COMMUNICATIONS VAULT w/ KNOCKOUTS. HATCH LID w/ STEEL GALV BOLT DOWN PANELS & CABLE RACK KIT

SIZE
A

DRAWING #

2121 CV KO HL BD

REV SHEET
1/1