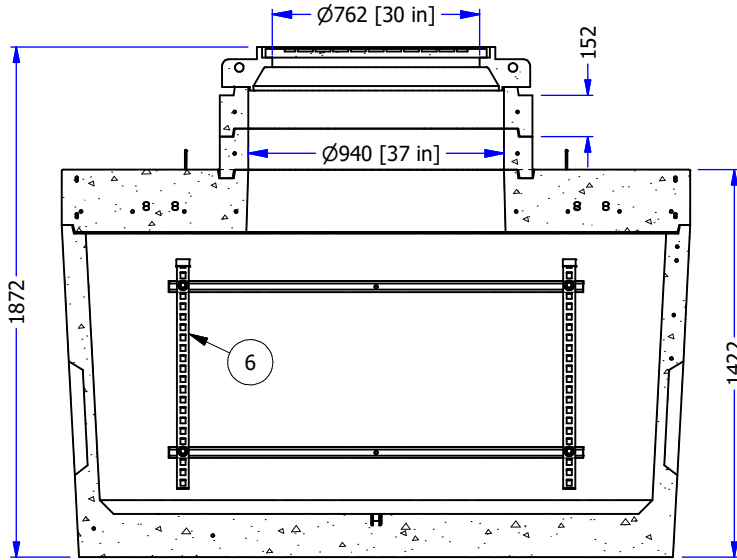
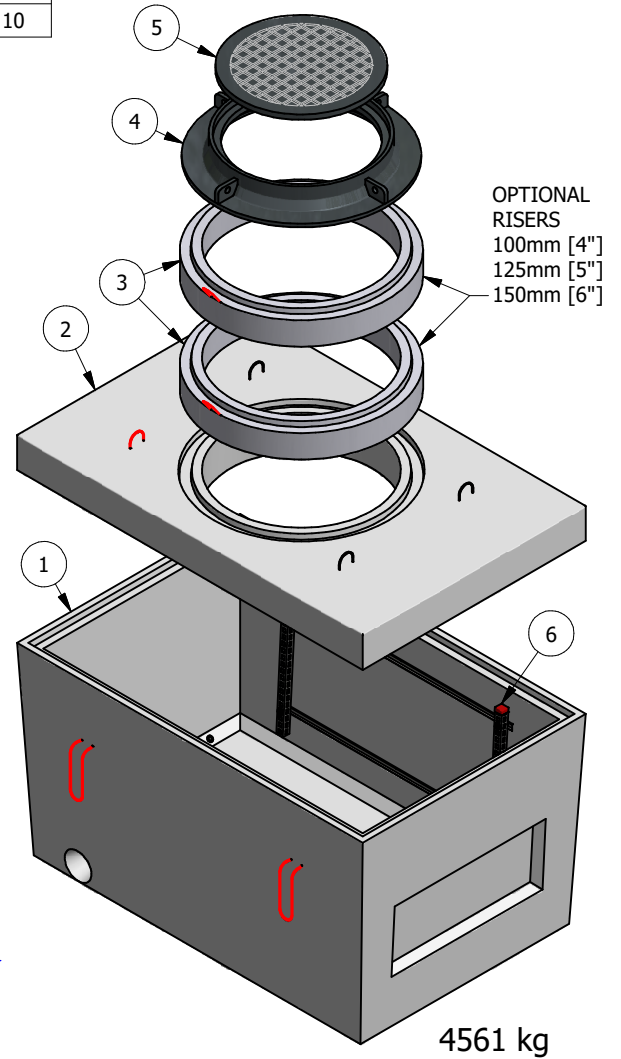
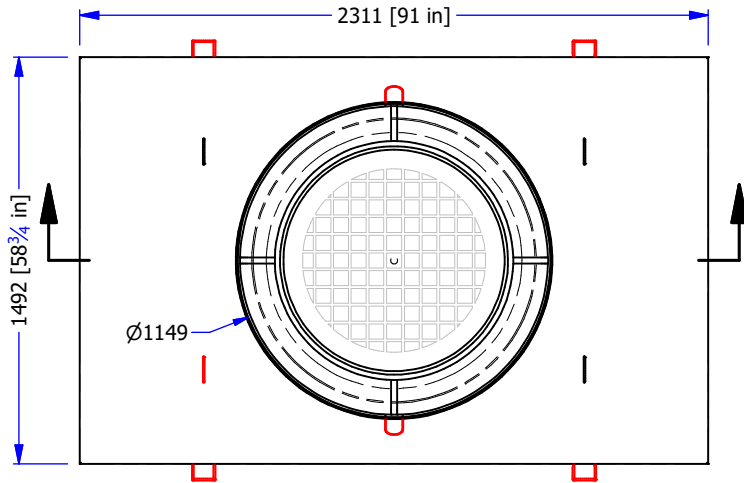


#	PART #	DESCRIPTION	ITEM #	KG
1	2121 B CV KO	2121/2122 WATER METER VAULT BASE	42139	2613
2	2121 MH	2121 MANHOLE LID SLAB	42140	1449
3	VRR Ø940x150	Ø940 [37"] VAULT RISER RING x150 [6"]	42103	122
4	TR42 FRAME	CAST IRON FRAME TR42	17311	145
5	TR42 COVER	CAST IRON COVER TR42	17329	100
6	2121 CRK	2121 CABLE RACK KIT	16708	10



- PRODUCT MANUFACTURED IN ACCORDANCE WITH CSA A23.4
- STEEL PRODUCTS MANUFACTURED UNDER CSA W47.1 IN ACCORDANCE WITH CSA W59
- MINIMUM CONCRETE STRENGTH AT 28 DAYS: 35 MPA
- GRADE 400 REBAR
- HARD STEEL FINISH
- DESIGNED FOR ROADWAY USE: BCL625 H20 LIVE LOADING

WWW.FRASERWAYPREKAST.COM

(604) 534-2911



## 2121 COMMUNICATION VAULT w/ KNOCKOUTS MANHOLE LID, RISER RINGS, CAST IRON COVER & CABLE RACK KIT

SIZE  
A

DRAWING #

2121 CV KO MH R CI CR

REV SHEET  
1/1