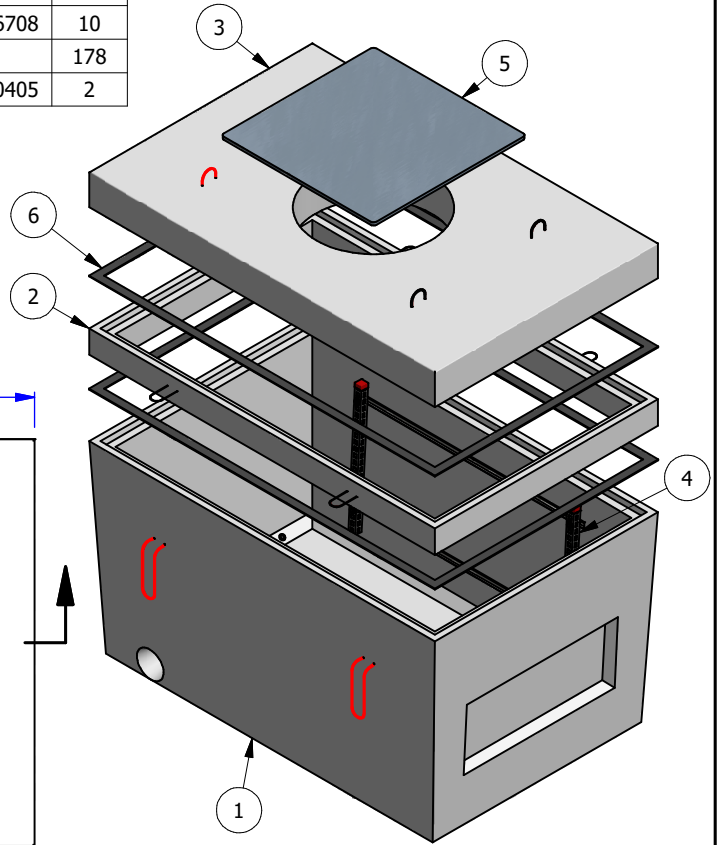
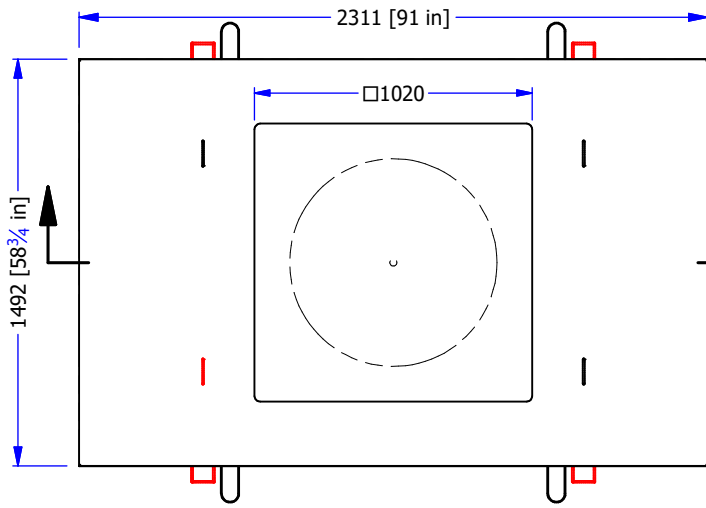
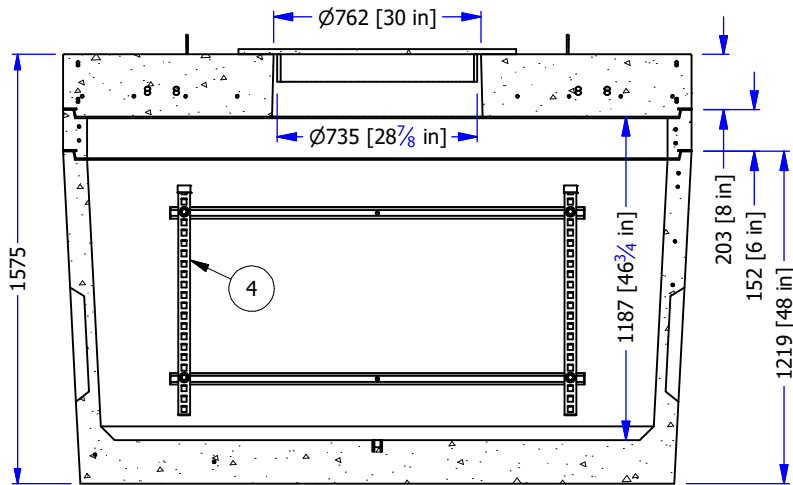


#	PART #	DESCRIPTION	ITEM #	KG
1	2121 B CV KO	2121/2122 COMM VAULT BASE		2613
2	2121 R150	2121 VAULT RISER	14250	229
3	2121 MH Ø760	2121 MANHOLE LID SLAB Ø760	42140	1590
4	2121 CRK	2121 CABLE RACK KIT	16708	10
5	SC 1020 ²	STEEL COVER PLATE		178
6	CS-102 2122	CONSEAL CS-102	20405	2



4625 kg



- PRODUCT MANUFACTURED IN ACCORDANCE WITH CSA A23.4
- MINIMUM CONCRETE STRENGTH AT 28 DAYS: 35 MPA
- GRADE 400 REBAR
- HARD STEEL FINISH
- DESIGNED FOR ROADWAY USE: BCL625 H20 LIVE LOADING
- STEEL PRODUCTS MANUFACTURED UNDER CSA W47.1 IN ACCORDANCE WITH CSA W59

WWW.FRASERWAYPREKAST.COM

(604) 534-2911



2121 COMMUNICATION VAULT w/ KNOCKOUTS. R150 RISER, MANHOLE LID Ø760, STEEL COVER & CABLE RACK KIT

SIZE
A

DRAWING #

2121 CV KO MH R6 SC CR

REV SHEET
1/1