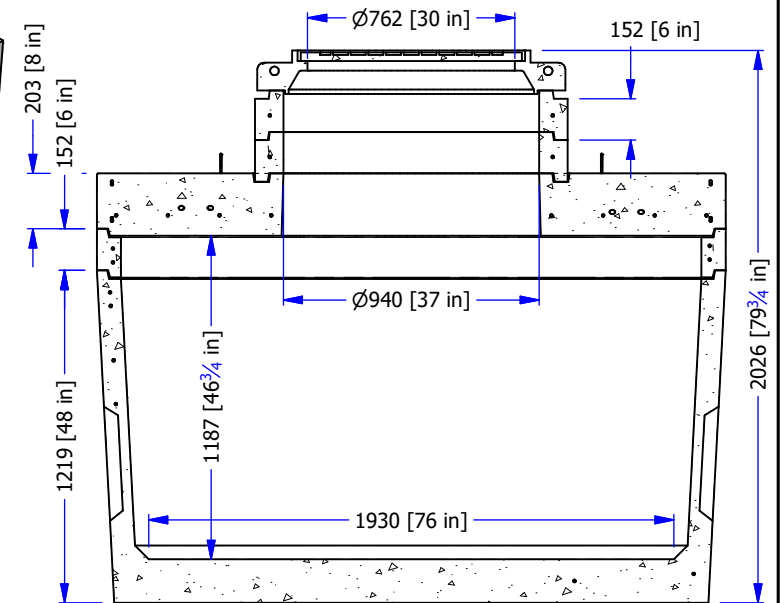
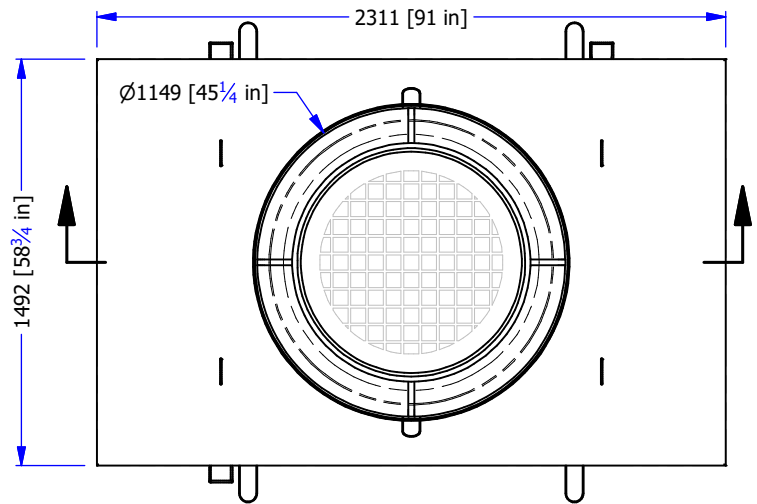
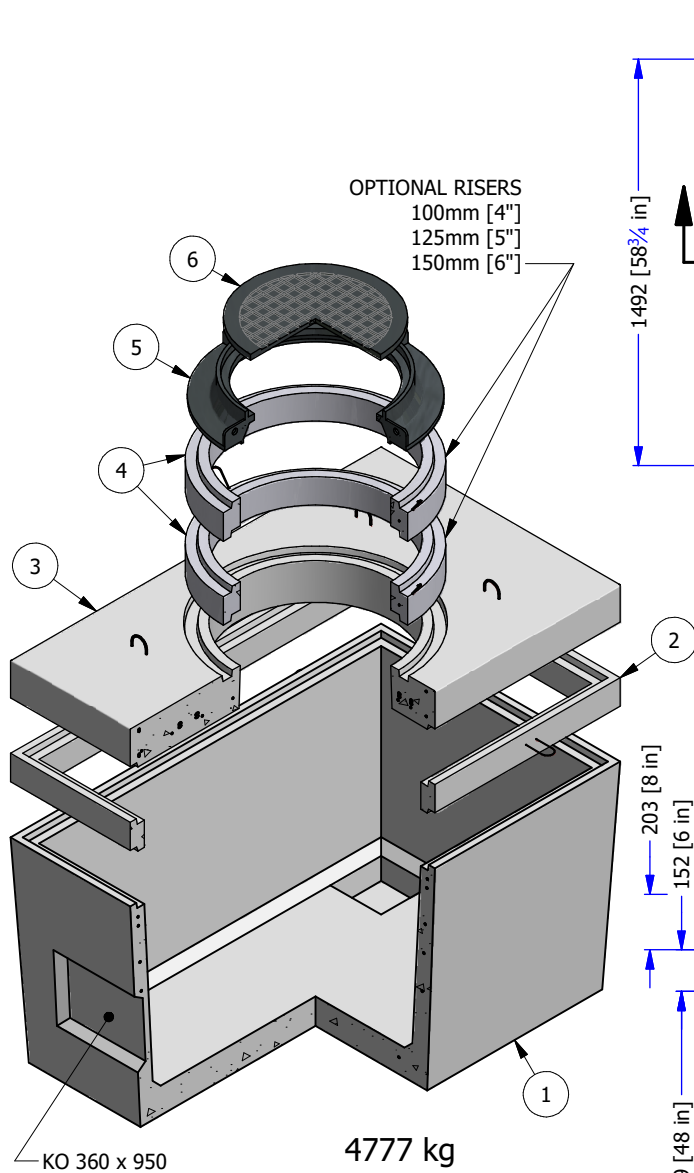


#	PART #	DESCRIPTION	ITEM #	KG
1	2121 B WMV	2121/2122 WATER METER VAULT BASE	42139	2610
2	2121 R150	2121 VAULT RISER	14250	229
3	2121 MH	2121 MANHOLE LID SLAB	42140	1449
4	VRR Ø940x150	Ø940 [37"] VAULT RISER RING x150 [6"]	14106	122
5	TR42 FRAME	CAST IRON FRAME TR42	17311	145
6	TR42 COVER	CAST IRON COVER TR42	17329	100



- PRODUCT MANUFACTURED IN ACCORDANCE WITH CSA A23.4
- STEEL PRODUCTS MANUFACTURED UNDER CSA W47.1 IN ACCORDANCE WITH CSA W59
- MINIMUM CONCRETE STRENGTH AT 28 DAYS: 35 MPA
- GRADE 400 REBAR
- HARD STEEL FINISH
- DESIGNED FOR ROADWAY USE: BCL625 H20 LIVE LOADING

WWW.FRASERWAYPREKAST.COM

(604) 534-2911



## 2121 WATER METER VAULT, RISER MANHOLE LID, RISER RINGS, FRAME & COVER

SIZE  
A

DRAWING #

2121 WMV MH C

REV

SHEET

1/1