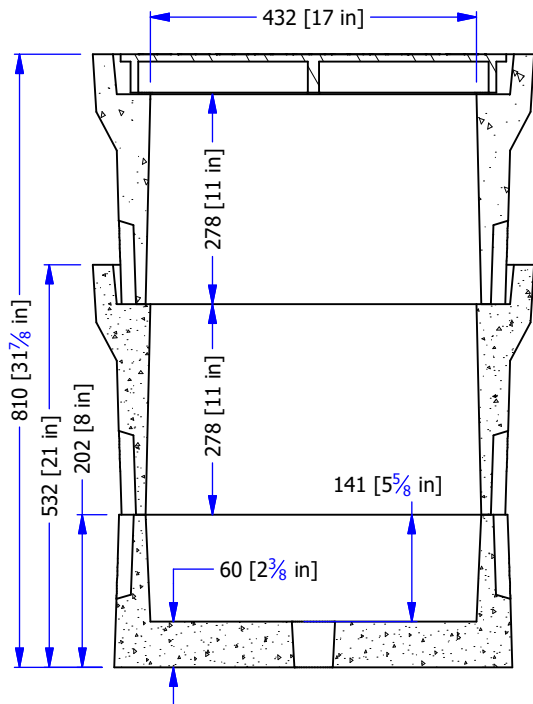
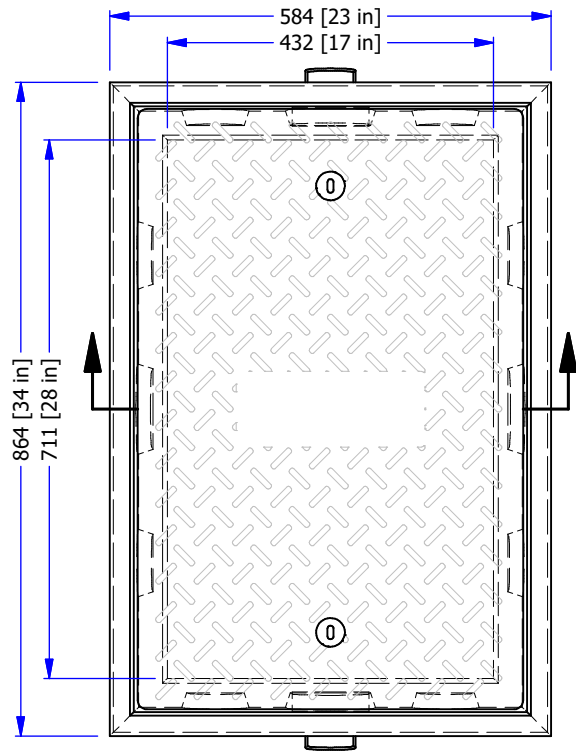
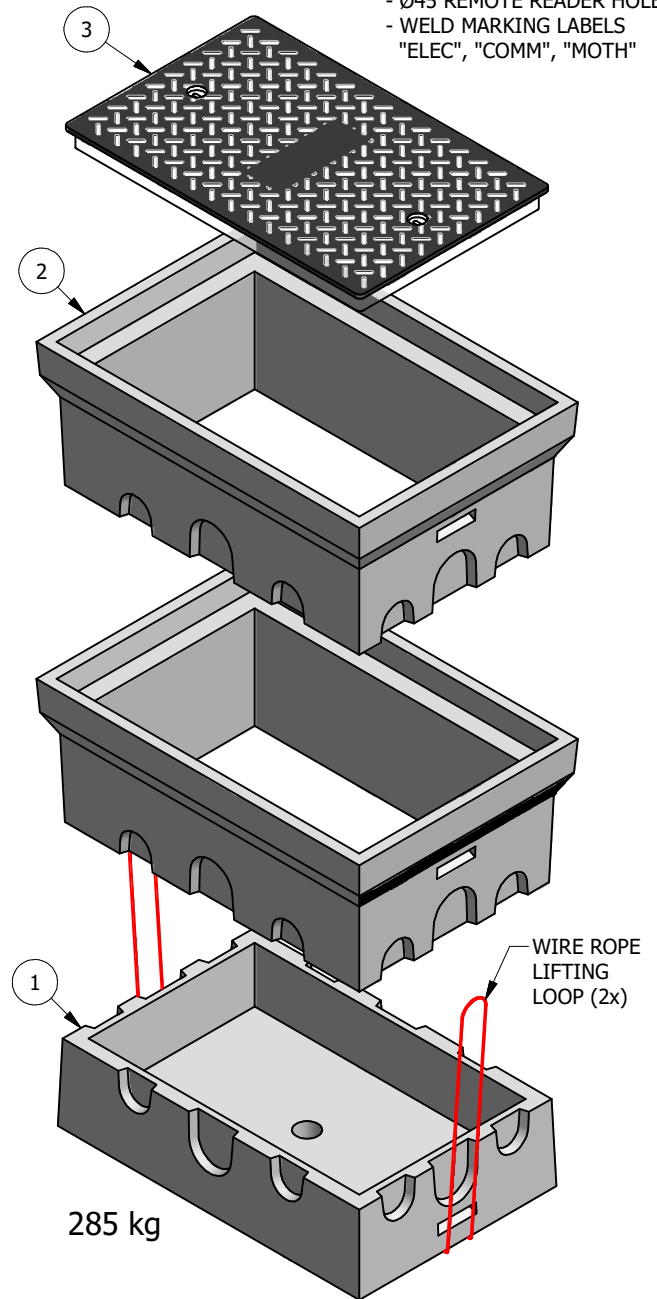


#	DESCRIPTION	CODE	KG
1	266 SERVICE BOX BASE	14469	89
2	266 SERVICE BOX 325 [13"] RISER	14454	76
3	266 PAINTED STEEL LID BLANK	14484	45



LID OPTIONS:

- CAST IRON
- STEEL CHECKERPLATE GALV. OR PAINTED BLACK
- BOLTDOWN HOLES
- RECESSED PADLOCK
- Ø45 REMOTE READER HOLE
- WELD MARKING LABELS "ELEC", "COMM", "MOTH"



- PRODUCT MANUFACTURED IN ACCORDANCE WITH CSA A23.4
- DESIGNED FOR BOULEVARD (OFF ROAD) USE
- H20 STATIC LOADING
- MINIMUM CONCRETE STRENGTH AT 28 DAYS: 35 MPA
- HARD STEEL FINISH

WWW.FRASERWAYPREKAST.COM

(604) 534-2911



TITLE

## #266 SERVICE BOX 2x 325mm RISERS w/ BASE & PAINTED STEEL LID

SIZE  
A

SHOP DRAWING

14505

REV

SHEET

266SB 2R B LP

1/1