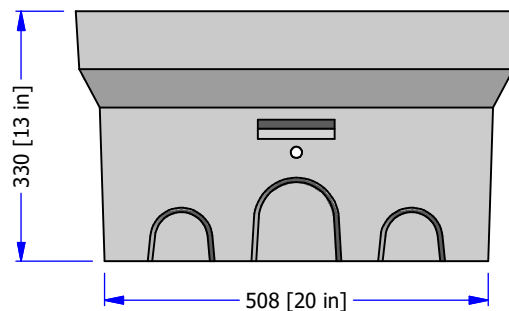
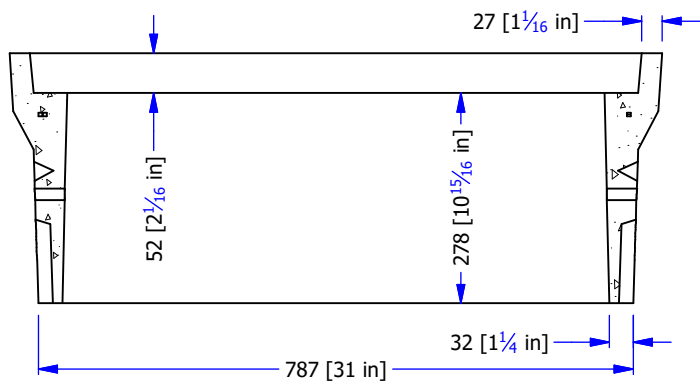
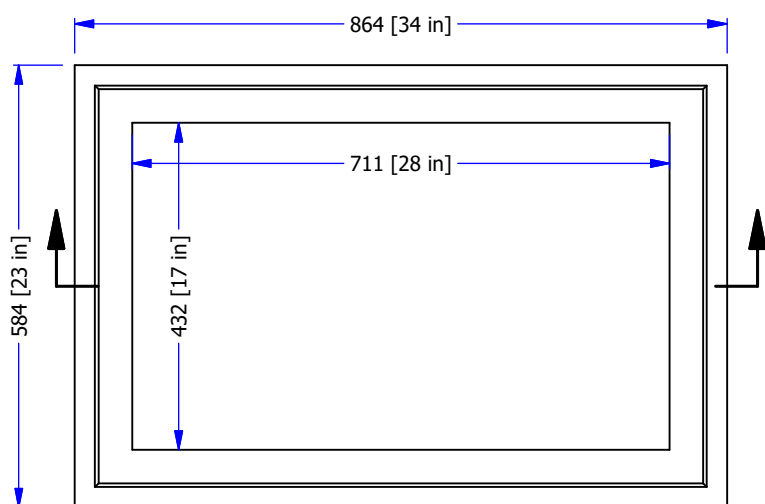
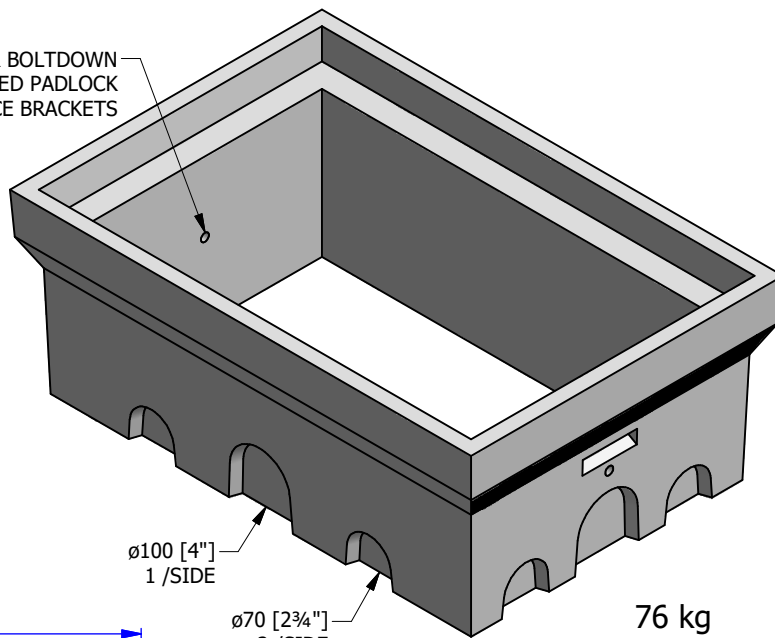


HOLES FOR BOLTDOWN  
OR RECESSED PADLOCK  
DEVICE BRACKETS



- PRODUCT MANUFACTURED IN ACCORDANCE WITH CSA A23.4
- DESIGNED FOR BOULEVARD (OFF ROAD) USE
- H20 STATIC LOADING
- MINIMUM CONCRETE STRENGTH AT 28 DAYS: 35 MPA

WWW.FRASERWAYPREKAST.COM

(604) 534-2911



## #266 SERVICE BOX 325 [13"] RISER w/ BRACKET MOUNTING HOLES

SIZE  
A

DRAWING #

14457

REV

SHEET

266SB R325 2H

1/1