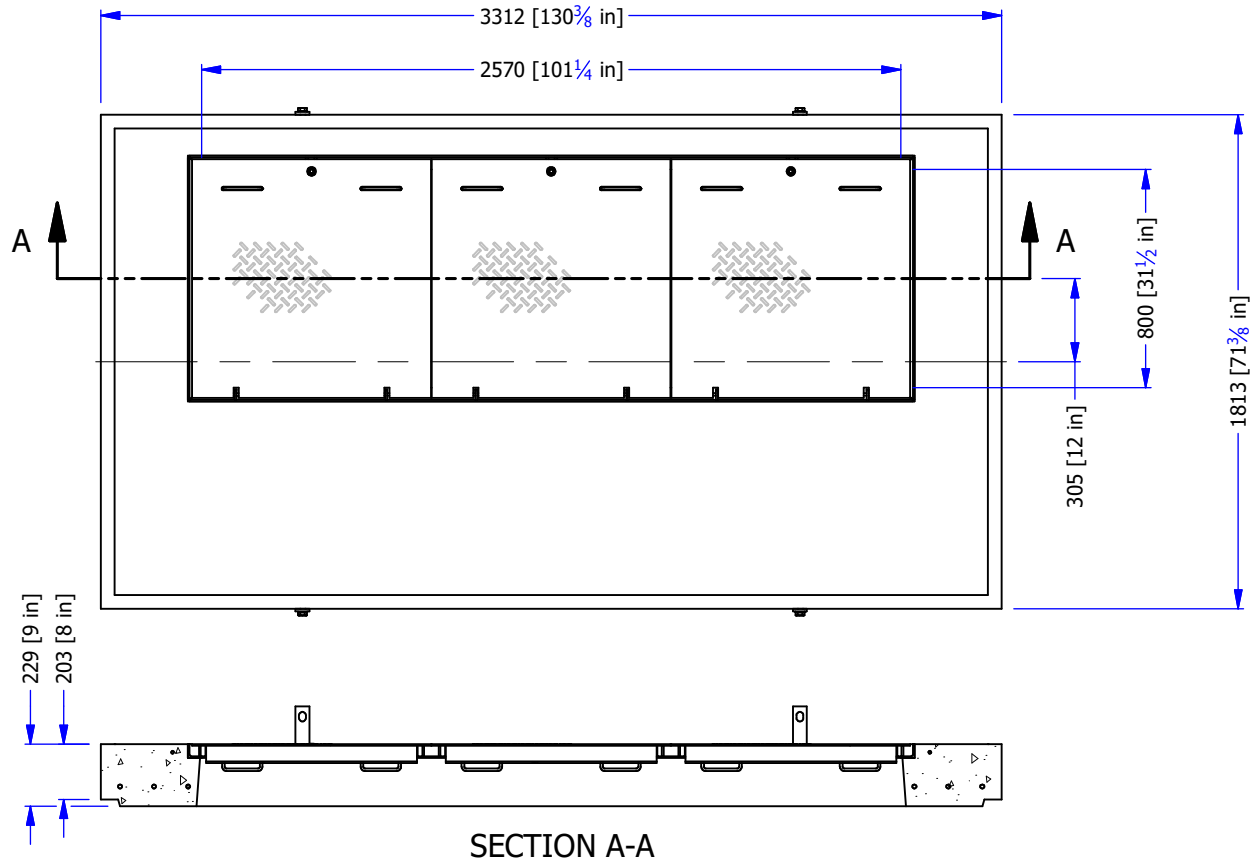
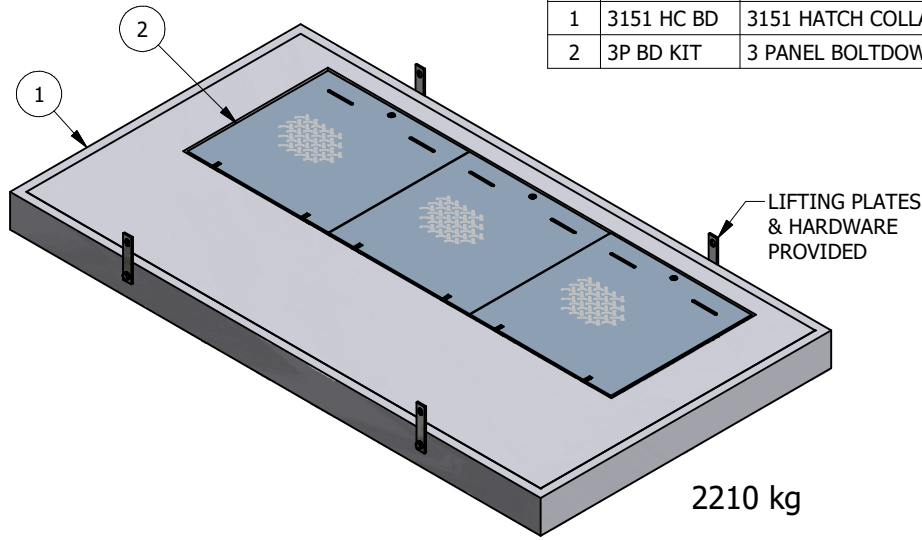


| # | PART # | DESCRIPTION | ITEM # | KG |
|---|------------|-----------------------------------|--------|------|
| 1 | 3151 HC BD | 3151 HATCH COLLAR BOLT DOWN FRAME | 14292 | 2038 |
| 2 | 3P BD KIT | 3 PANEL BOLTDOWN HATCH LID KIT | 14304 | 173 |



- PRODUCT MANUFACTURED IN ACCORDANCE WITH CSA A23.4
- STEEL PRODUCTS MANUFACTURED UNDER CSA W47.1 IN ACCORDANCE WITH CSA W59
- MINIMUM CONCRETE STRENGTH AT 28 DAYS: 35 MPA
- DESIGNED FOR BCL625 H20 OCCASIONAL LOADING
- GRADE 400 REBAR REINFORCEMENT
- HARD STEEL FINISH

WWW.FRASERWAYPREKAST.COM

(604) 534-2911



TITLE

3151 HATCH LID SLAB WITH STEEL ACCESS PANELS BOLT DOWN GALVANIZED

SIZE SHOP DRAWING
A

3151 HL BD

REV SHEET
1/1