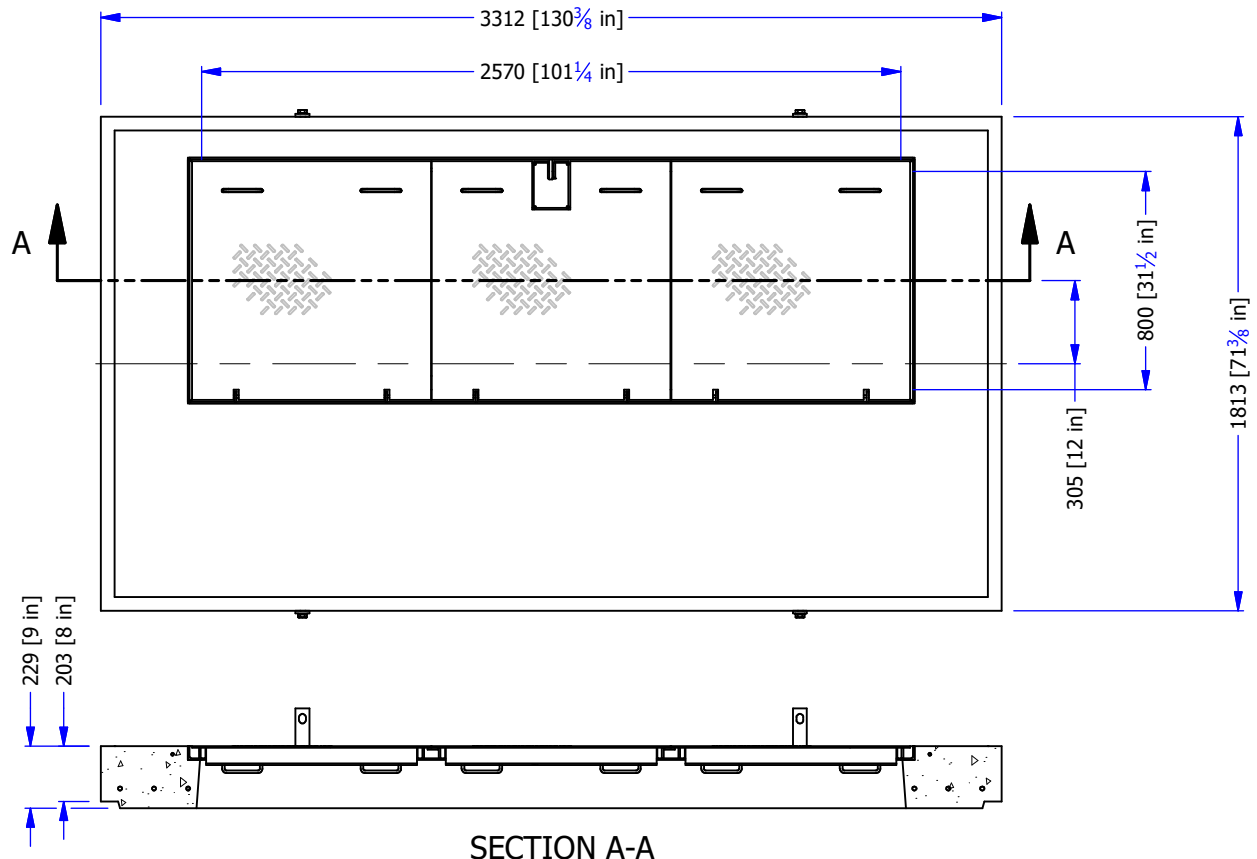
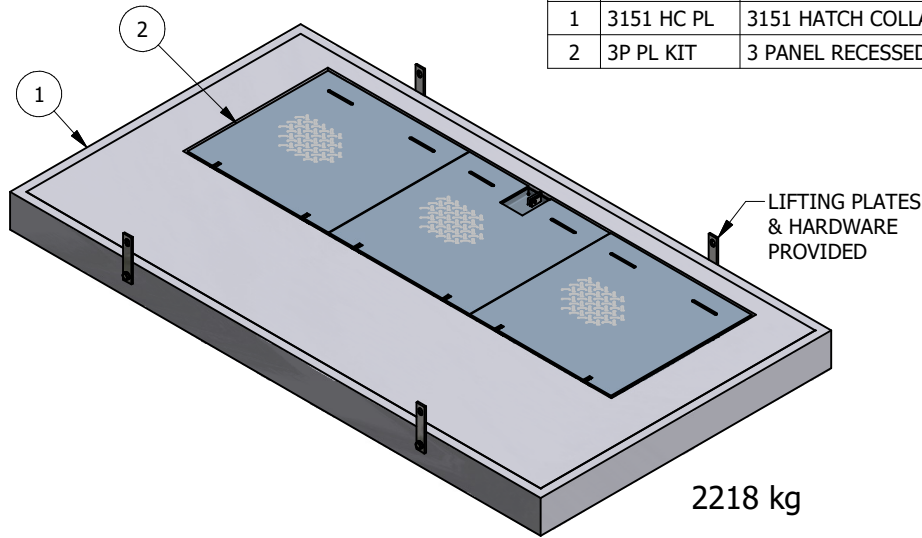


#	PART #	DESCRIPTION	ITEM #	KG
1	3151 HC PL	3151 HATCH COLLAR PADLOCK FRAME	14295	2038
2	3P PL KIT	3 PANEL RECESSED PADLOCK HATCH LID KIT	14307	180



- PRODUCT MANUFACTURED IN ACCORDANCE WITH CSA A23.4
- STEEL PRODUCTS MANUFACTURED UNDER CSA W47.1 IN ACCORDANCE WITH CSA W59
- MINIMUM CONCRETE STRENGTH AT 28 DAYS: 35 MPA
- DESIGNED FOR BCL625 H20 OCCASIONAL LOADING
- GRADE 400 REBAR REINFORCEMENT
- HARD STEEL FINISH

WWW.FRASERWAYPREKAST.COM

(604) 534-2911



TITLE

**3151 HATCH LID SLAB WITH STEEL ACCESS
PANELS w/ RECESSED PADLOCK GALVANIZED**

SIZE
A

SHOP DRAWING

REV

SHEET

3151 HL PL

1/1