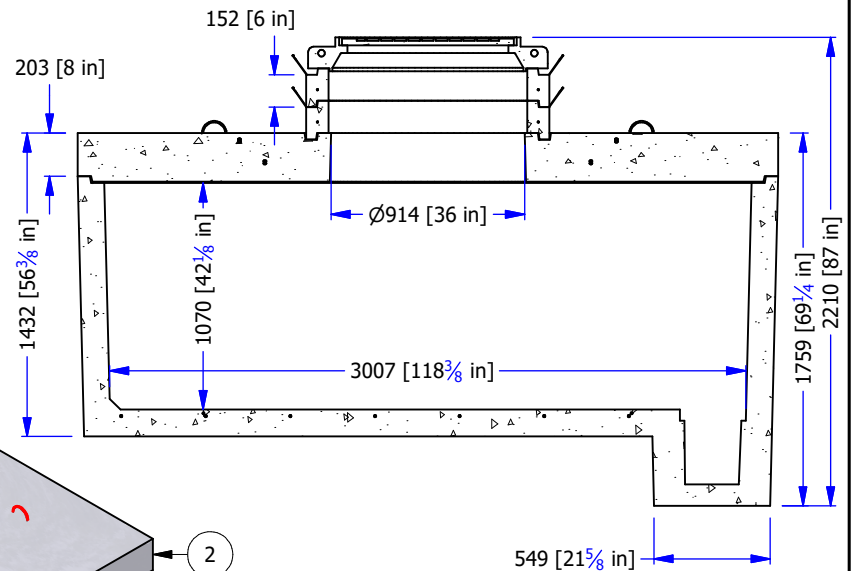
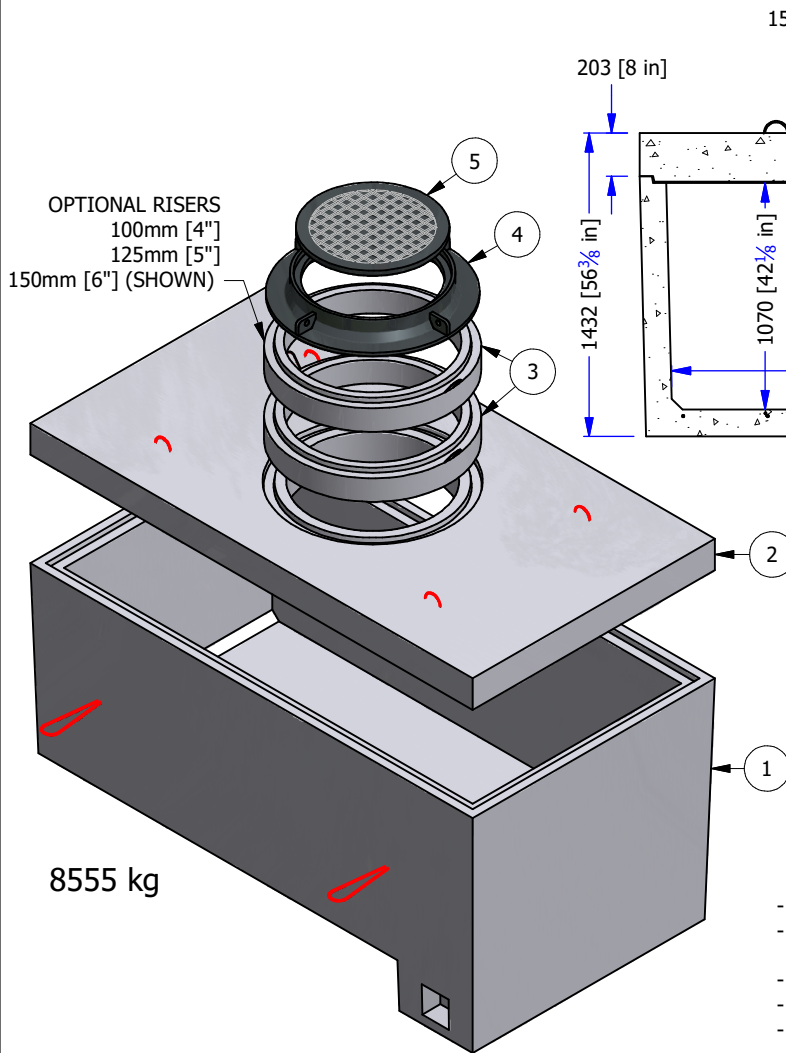
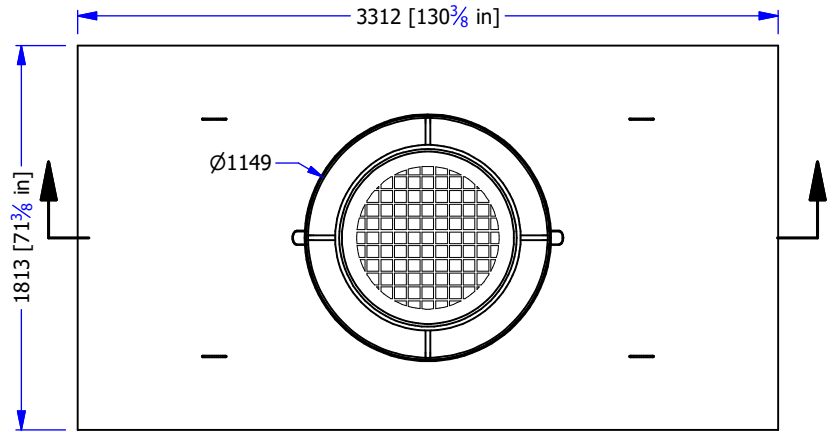


| # | PART # | DESCRIPTION | ITEM # | KG |
|---|--------------------|---|--------|------|
| 1 | 3151 B | 3151 WATER METER VAULT BASE | 16781 | 5193 |
| 2 | 3151 MH | 3151 MANHOLE LID SLAB | 14289 | 2874 |
| 3 | VRR ϕ 940x150 | ϕ 940 [37"] VAULT RISER RING x150 [6"] | 14106 | 122 |
| 4 | TR42 FRAME | CAST IRON FRAME TR42 | 17311 | 145 |
| 5 | TR42 COVER | CAST IRON COVER TR42 | 17329 | 100 |



- MANUFACTURED IN ACCORDANCE WITH CSA A23.4
- STEEL PRODUCTS MANUFACTURED UNDER CSA W47.1 IN ACCORDANCE WITH CSA W59
- MINIMUM CONCRETE STRENGTH AT 28 DAYS: 35 MPA
- GRADE 400 REBAR
- HARD STEEL FINISH
- DESIGNED FOR BOULEVARD USE BCL625 H20 STATIC LOADING
- CAST IRON FRAME & COVER - BCL625 H20 LIVE LOAD RATED

WWW.FRASERWAYPREKAST.COM

(604) 534-2911



3151 WATER METER VAULT w/ MANHOLE SLAB, RISERS, FRAME & COVER

SIZE A DRAWING #

3151 WMV MH C

REV SHEET 1/1