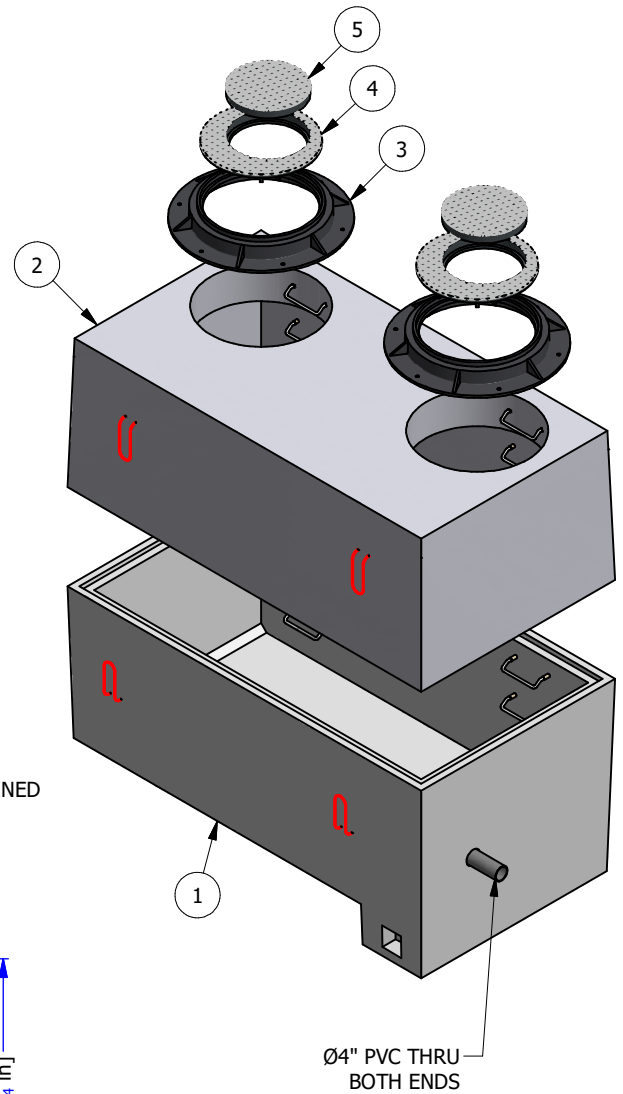
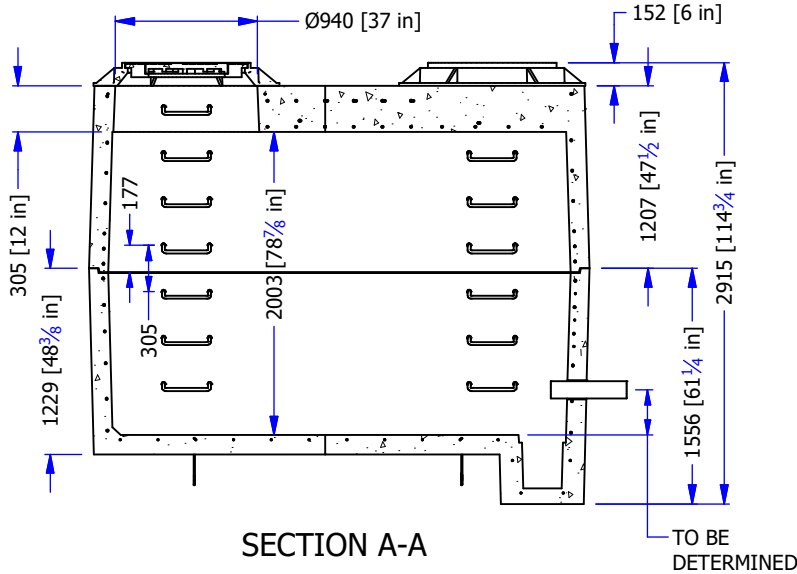
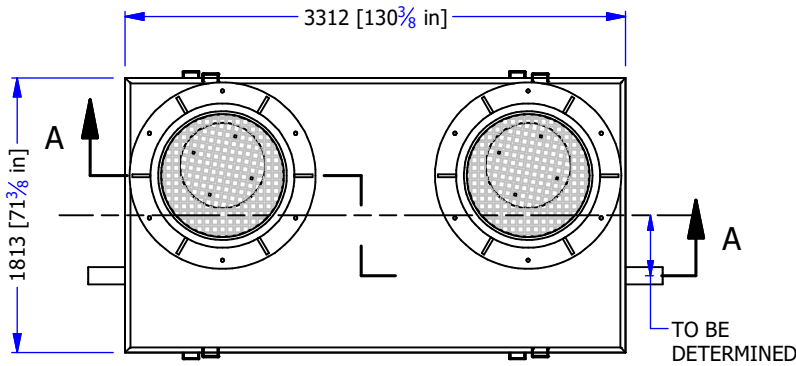


#	QTY	PART #	DESCRIPTION	kg
1	1	3151-52 B KO	3151/52 SERVICE VAULT BASE	5264
2	1	3152 2xMH VRM	3152 COVER w/ 2x MANHOLE OPENINGS	5852
3	2	C-1 MH OF	C-1 MANHOLE OUTER FRAME	174
4	2	C-1 MH IF	C-1 MANHOLE INNER FRAME	77
5	2	C-1 MH CVR	C-1 MANHOLE COVER	75
6	6	350	LANDCON #350 RUNG	1



- MANUFACTURED IN ACCORDANCE WITH CSA A23.4
- STEEL PRODUCTS MANUFACTURED UNDER CSA W47.1 IN ACCORDANCE WITH CSA W59
- MINIMUM CONCRETE STRENGTH AT 28 DAYS: 35 MPA
- GRADE 400 REBAR
- HARD STEEL FINISH
- DESIGNED FOR ROADWAY USE - H20 RATED LIVE LOADING

WWW.FRASERWAYPREKAST.COM

(604) 534-2911



TITLE

3152 WATER METER VAULT WITH 2x MANHOLE OPENINGS

SIZE A SHOP DRAWING

3152 WMV 2xØ900

REV B SHEET 1/1