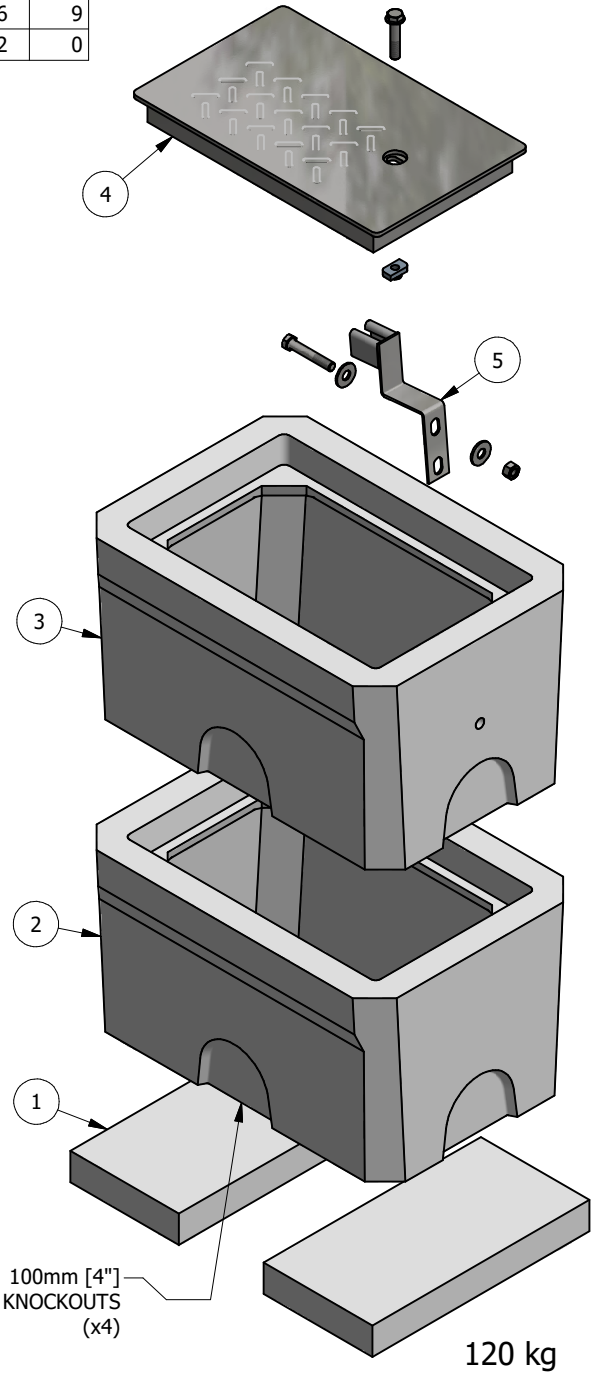
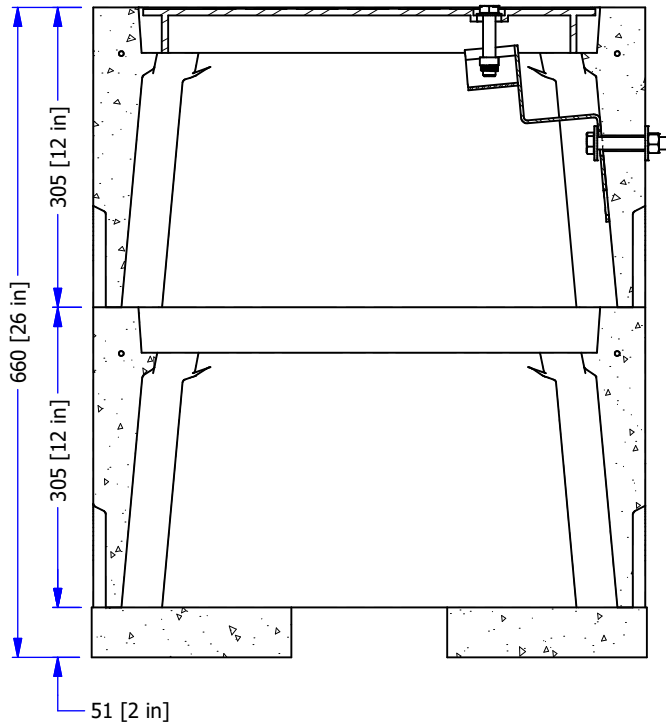
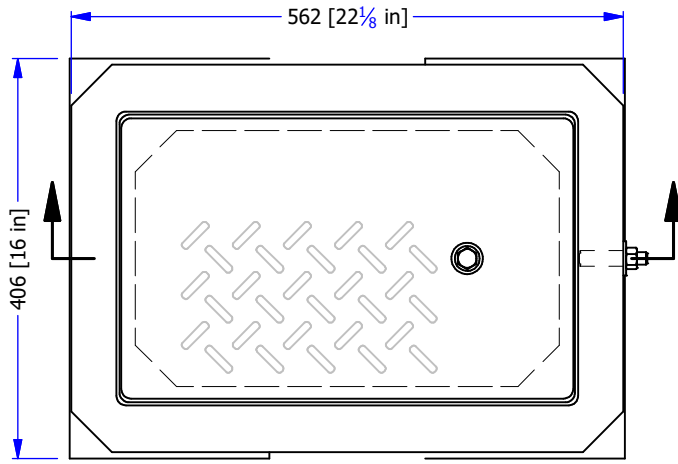


#	PART #	DESCRIPTION	CODE #	KG
1	37SB B	#37 SERVICE BOX BRICKS	16199	19
2	37SB R300	#37 SERVICE BOX RISER 300 [12"]	16190	46
3	37SB R300 H	#37 SERVICE BOX RISER 300 [12"] w/ HOLE	16193	46
4	37SB L SG BD	#37 SERVICE BOX STEEL GALV. LID w/ BOLTDOWN	16226	9
5	BD 37-4¼	BOLTDOWN DEVICE HARDWARE KIT	16382	0



- PRODUCT MANUFACTURED IN ACCORDANCE WITH CSA A23.4
- DESIGNED FOR BOULEVARD (OFF ROAD) USE - H20 STATIC LOADING
- STEEL PRODUCTS MANUFACTURED UNDER CSA W47.1 IN ACCORDANCE WITH CSA W59
- MINIMUM CONCRETE STRENGTH AT 28 DAYS: 35 MPA

WWW.FRASERWAYPREKAST.COM

(604) 534-2911



#37 SERVICE BOX COMPLETE 2x 300mm RISERS & BASE BRICKS w/ GALV BOLTDOWN LID KIT

SIZE
A

DRAWING #

37SB 2R B L BD

REV SHEET
1/1