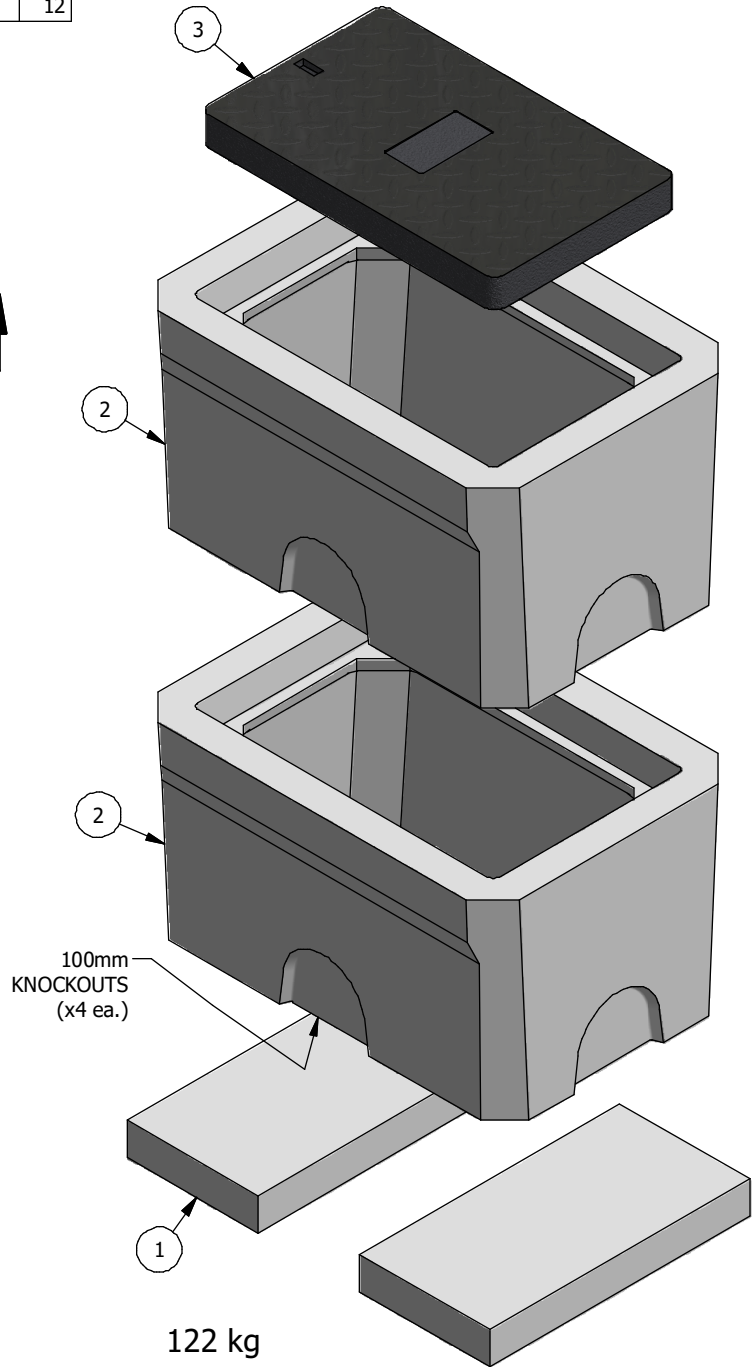
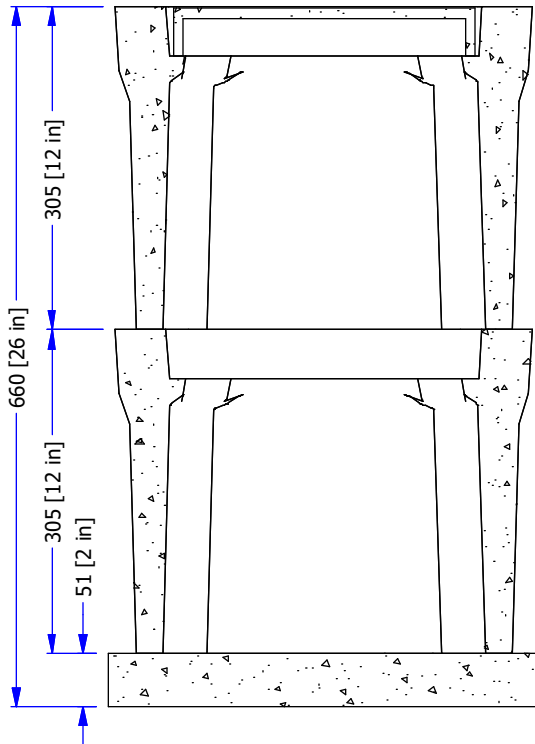
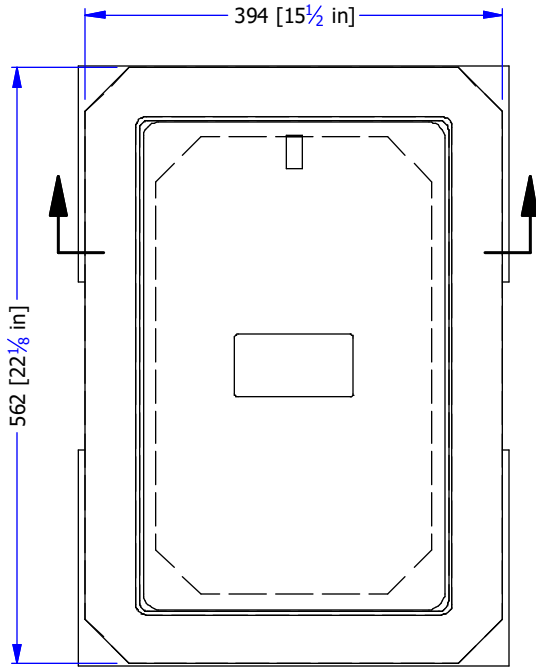


#	PART #	DESCRIPTION	CODE #	KG
1	37SB B	#37 SERVICE BOX BRICKS	16199	19
2	37SB R300	#37 SERVICE BOX RISER 300 [12"]	16190	46
3	37SB L CI	#37 SERVICE BOX LID CAST IRON	16202	12



- PRODUCT MANUFACTURED IN ACCORDANCE WITH CSA A23.4
- DESIGNED FOR BOULEVARD (OFF ROAD) USE
- H2O STATIC LOADING
- STEEL PRODUCTS MANUFACTURED UNDER CSA W47.1 IN ACCORDANCE WITH CSA W59
- MINIMUM CONCRETE STRENGTH AT 28 DAYS: 35 MPA

WWW.FRASERWAYPREKAST.COM

(604) 534-2911



TITLE

**#37 SERVICE BOX COMPLETE
2x 300mm RISERS & BASE BRICKS
w/ CAST IRON LID (BLANK)**

SIZE
A

SHOP DRAWING

REV

SHEET

37SB 2R B L CI

1/1