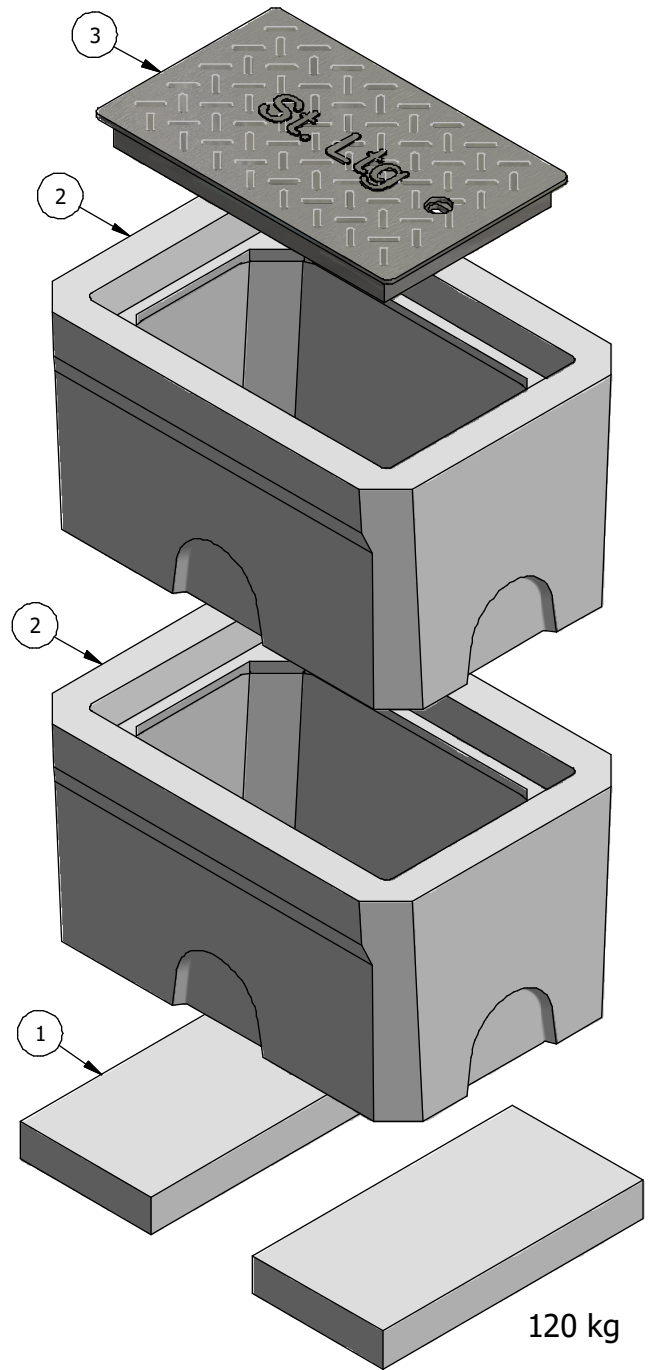
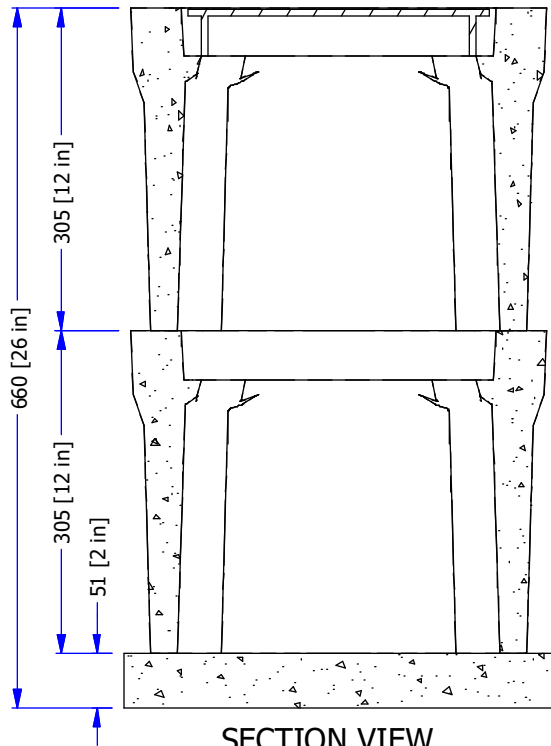
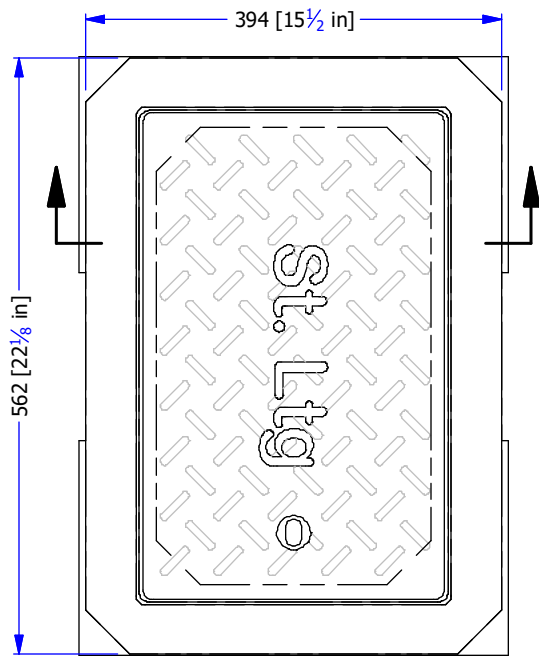


| # | PART #                | DESCRIPTION                                 | CODE # | KG |
|---|-----------------------|---|--------|----|
| 1 | 37SB B                | #37 SERVICE BOX BRICKS                      | 16199  | 19 |
| 2 | 37SB R300             | #37 SERVICE BOX RISER 300 [12"]             | 16190  | 46 |
| 3 | 37SB L SG BD 'St Ltg' | #37 SERVICE BOX STEEL GALV. LID w/ BOLTDOWN |        | 9  |



- PRODUCT MANUFACTURED IN ACCORDANCE WITH CSA A23.4
- DESIGNED FOR BOULEVARD (OFF ROAD) USE
- H20 STATIC LOADING
- STEEL PRODUCTS MANUFACTURED UNDER CSA W47.1 IN ACCORDANCE WITH CSA W59
- MINIMUM CONCRETE STRENGTH AT 28 DAYS: 35 MPA

WWW.FRASERWAYPREKAST.COM

(604) 534-2911



TITLE

**#37 SERVICE BOX COMPLETE  
2x 300mm RISERS & BASE BRICKS  
w/ GALV STEEL 'St Ltg' LID**

SIZE  
**A**

SHOP DRAWING

**37SB 2R B L 'St Ltg'**

REV

SHEET  
**1/1**