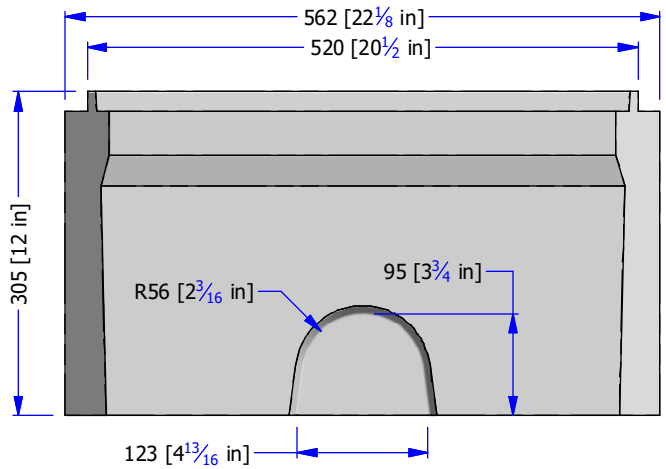


SECTION VIEW



- PRODUCT MANUFACTURED IN ACCORDANCE WITH CSA A23.4
- DESIGNED FOR BOULEVARD (OFF ROAD) USE
 - H20 STATIC LOADING
- STEEL PRODUCTS MANUFACTURED UNDER CSA W47.1 IN ACCORDANCE WITH CSA W59
- SITE INSTALLATION, BACKFILLING, AND SUITABILITY FOR USE, IS RESPONSIBILITY OF OTHERS.
- MINIMUM CONCRETE STRENGTH AT 28 DAYS: 35 MPA

WWW.FRASERWAYPREKAST.COM

(604) 534-2911



FRASERWAY PREKAST LTD
A BMGROUP COMPANY

TITLE

**#37 SERVICE BOX RISER 300 [12"]
MAPLE RIDGE**

SIZE
A

SHOP DRAWING

16247

REV

SHEET

37SB R300 MR

1/1