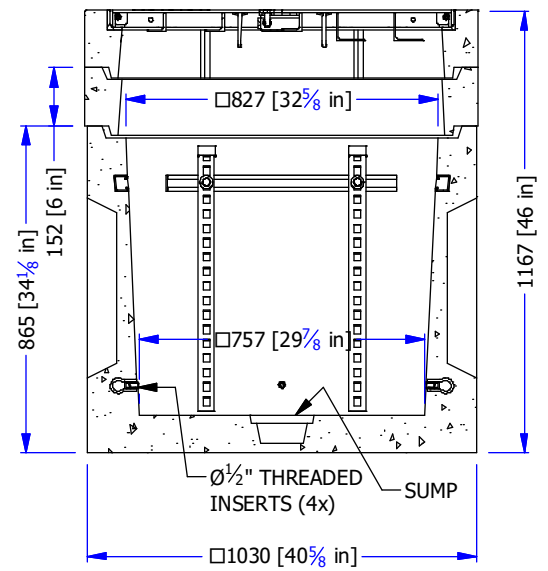
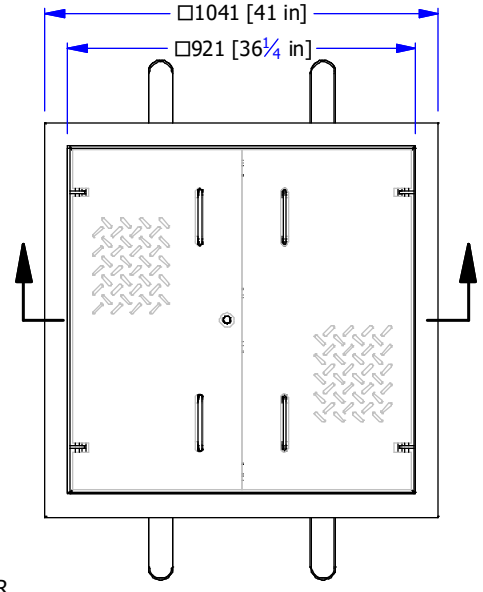
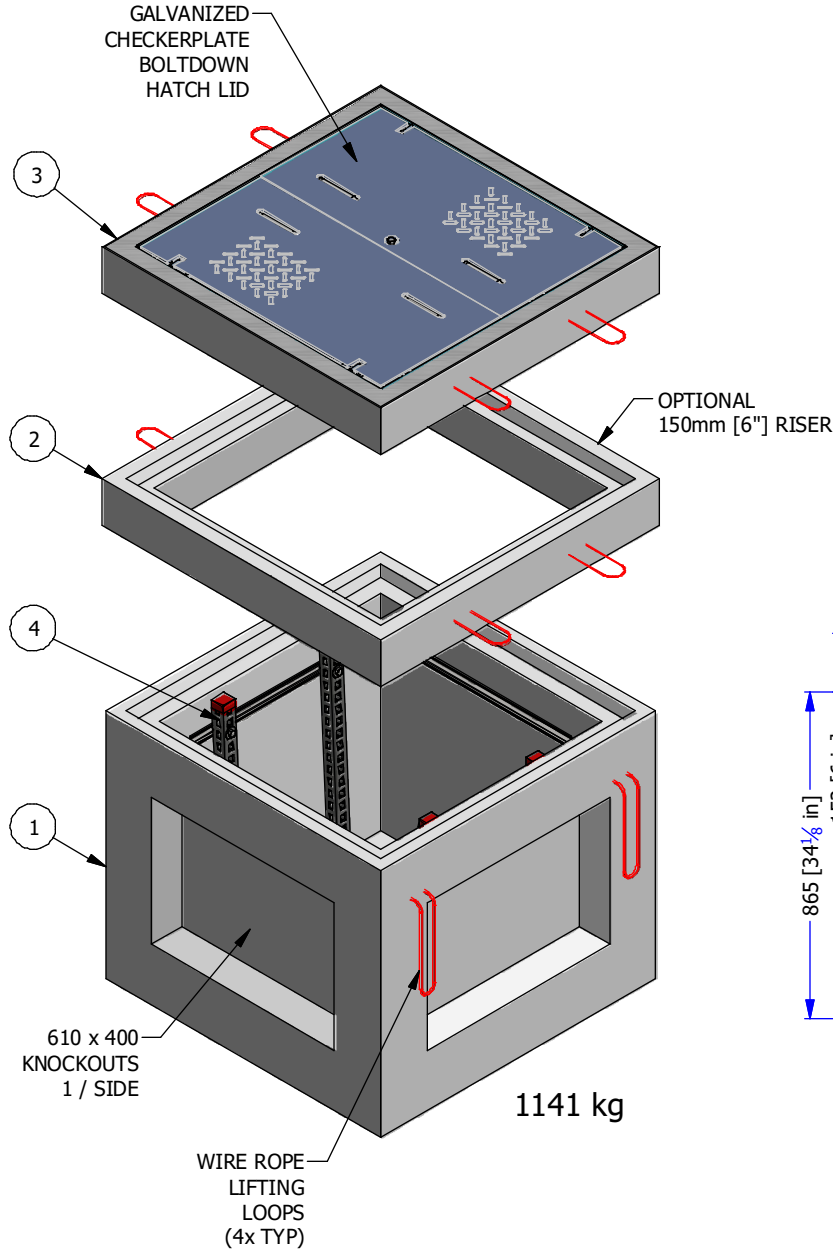


#	PART #	DESCRIPTION	ITEM #	KG
1	4040 B	4040 SERVICE BOX BASE UNIT	16297	803
2	4040 R150	4040 RISER 150 [6"]	16292	123
3	4040 HL BD	4040 HATCH LID ACCESS W/ BOLT DOWN	16282	207
4	P16F-700 KIT	4040 CABLE RACK KIT	16280	8



- PRODUCT MANUFACTURED IN ACCORDANCE WITH CSA A23.4
- STEEL PRODUCTS MANUFACTURED UNDER CSA W47.1 IN ACCORDANCE WITH CSA W59
- MIN CONCRETE STRENGTH AT 28 DAYS: 35 MPA
- GRADE 400 REBAR REINFORCEMENT
- DESIGNED FOR BCL625 H20 LIVE LOADING
- *HATCH DESIGNED FOR BCL625 H20 OCCASIONAL LOADING

WWW.FRASERWAYPREKAST.COM (604) 534-2911



TITLE
4040 SERVICE BOX WITH 150 RISER AND BOLT DOWN HATCH LID COMPLETE

SIZE SHOP DRAWING
A 4040 SB HL C

REV SHEET
1/1