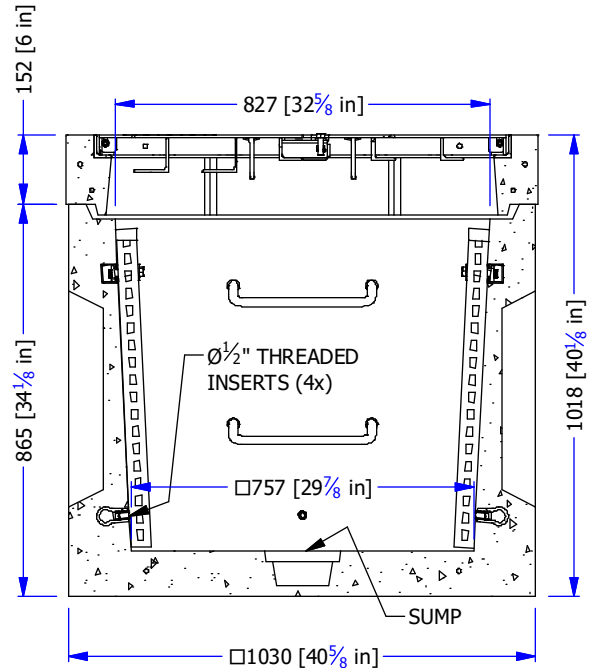
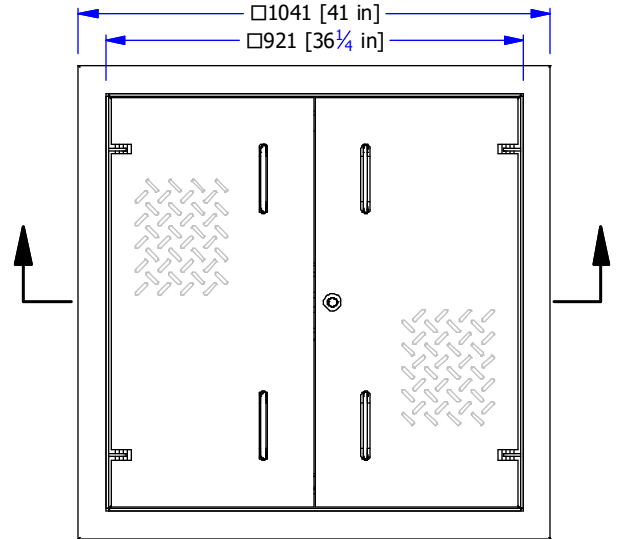
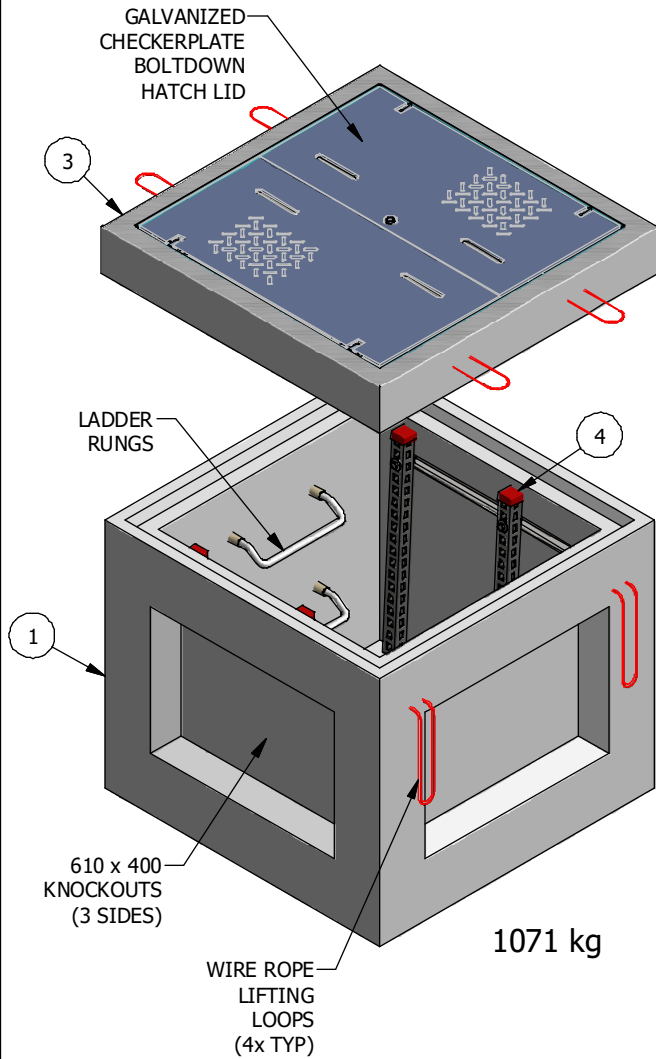


#	PART #	DESCRIPTION	ITEM #	KG
1	4040 B r	4040 SERVICE BOX BASE UNIT	16297	856
3	4040 HL BD	4040 HATCH LID ACCESS W/ BOLT DOWN	16282	207
4	P16F-700 KIT	4040 CABLE RACK KIT	16280	8



- PRODUCT MANUFACTURED IN ACCORDANCE WITH CSA A23.4
- STEEL PRODUCTS MANUFACTURED UNDER CSA W47.1 IN ACCORDANCE WITH CSA W59
- MIN CONCRETE STRENGTH AT 28 DAYS: 35 MPA
- GRADE 400 REBAR REINFORCEMENT
- DESIGNED FOR BCL625 H20 LIVE LOADING
- *HATCH DESIGNED FOR BCL625 H20 OCCASIONAL LOADING

WWW.FRASERWAYPREKAST.COM

(604) 534-2911



TITLE

4040 SERVICE BOX WITH BOLT DOWN HATCH LID & LADDER RUNGS

SIZE
A

SHOP DRAWING

4040 SB HL R

REV

SHEET
1/1