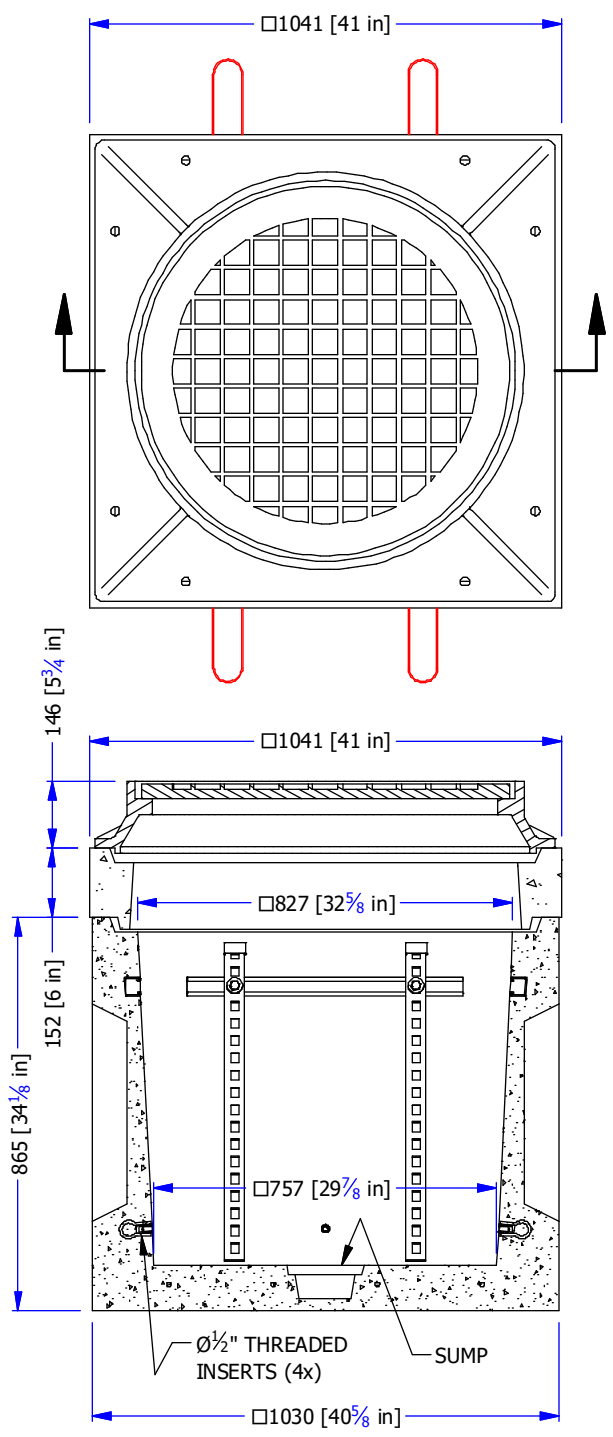
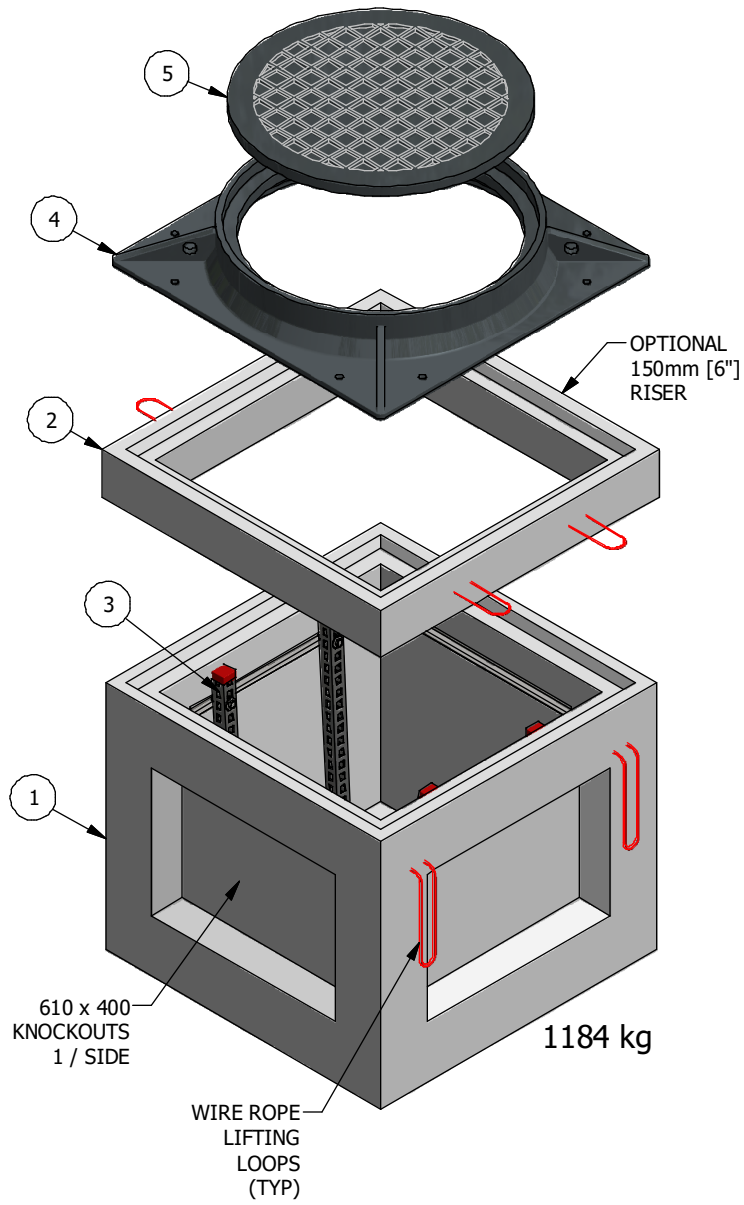


#	PART #	DESCRIPTION	ITEM #	KG
1	4040 B	4040 SERVICE BOX BASE UNIT	16297	803
2	4040 R150	4040 RISER 150 [6"]	16292	123
3	P16F-700 KIT	4040 CABLE RACK KIT	16280	8
4	TR42SF	CAST IRON SQUARE FRAME	20341	150
5	TR42 COVER	CAST IRON COVER TR42	20331	100



- PRODUCT MANUFACTURED IN ACCORDANCE WITH CSA A23.4
- STEEL PRODUCTS MANUFACTURED UNDER CSA W47.1 IN ACCORDANCE WITH CSA W59
- MIN CONCRETE STRENGTH AT 28 DAYS: 35 MPA
- GRADE 400 REBAR REINFORCEMENT
- DESIGNED FOR BCL625 H20 LIVE LOADING

WWW.FRASERWAYPREKAST.COM (604) 534-2911



TITLE
**4040 SERVICE BOX WITH 150 RISER
 CAST IRON MANHOLE LID COMPLETE**

SIZE	SHOP DRAWING	REV	SHEET
A	4040 SB MH C		1/1