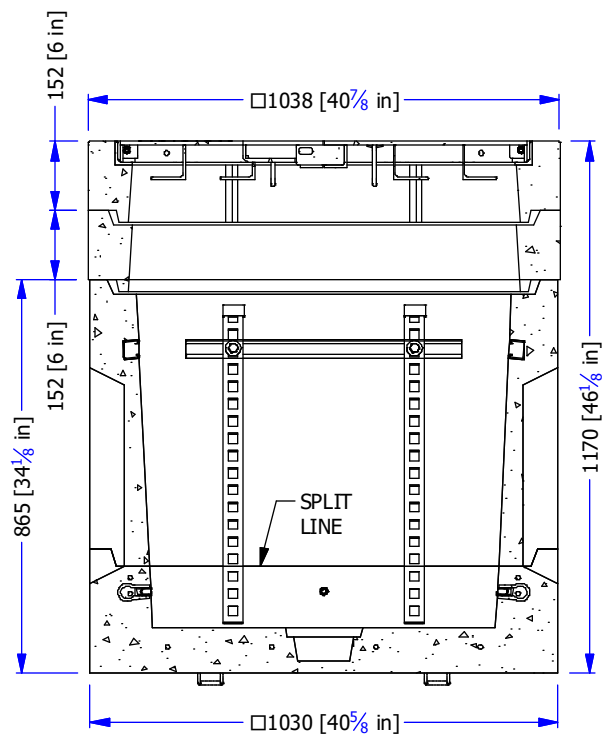
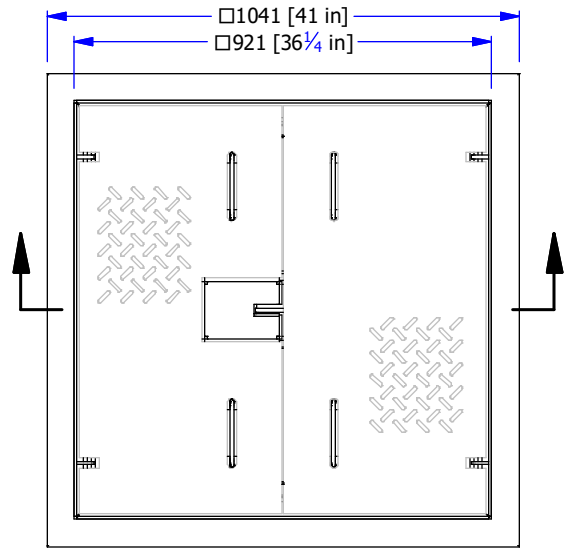
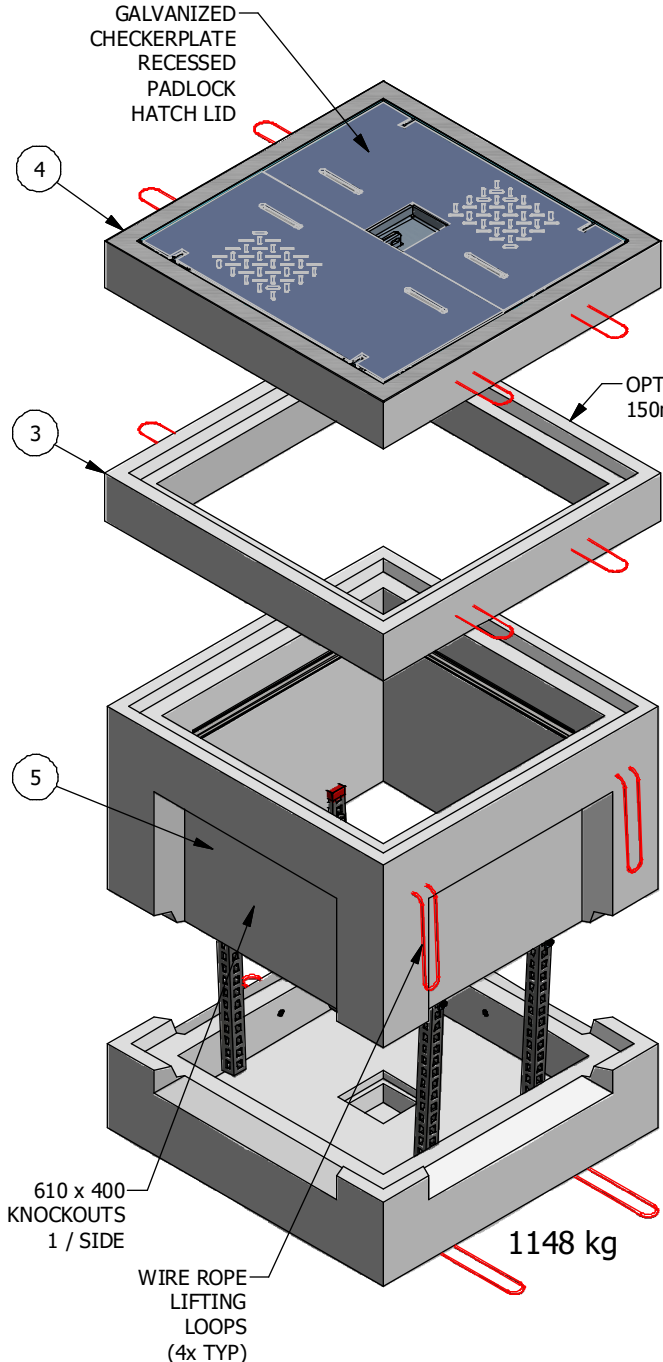


#	PART #	DESCRIPTION	ITEM #	KG
1	4040 B S2	4040 SERVICE BOX BASE UNIT	16297	397
2	4040 B S1	4040 SERVICE BOX BASE UNIT	16297	412
3	4040 R150	4040 RISER 150 [6"]	16292	123
4	4040 HL PL	4040 HATCH LID W/ RECESSED PADLOCK	16283	208
5	P16F-700 KIT	4040 CABLE RACK KIT	16280	8



- PRODUCT MANUFACTURED IN ACCORDANCE WITH CSA A23.4
- STEEL PRODUCTS MANUFACTURED UNDER CSA W47.1 IN ACCORDANCE WITH CSA W59
- MIN CONCRETE STRENGTH AT 28 DAYS: 35 MPA
- GRADE 400 REBAR REINFORCEMENT
- DESIGNED FOR BCL625 H20 LIVE LOADING
- \*HATCH DESIGNED FOR BCL625 H20 OCCASIONAL LOADING

WWW.FRASERWAYPREKAST.COM (604) 534-2911



TITLE  
**4040 SERVICE BOX SPLIT WITH 150 RISER & RECESSED PADLOCK HATCH LID COMPLETE**

SIZE	SHOP DRAWING	REV	SHEET
A	4040 SB S HL C		1 / 1