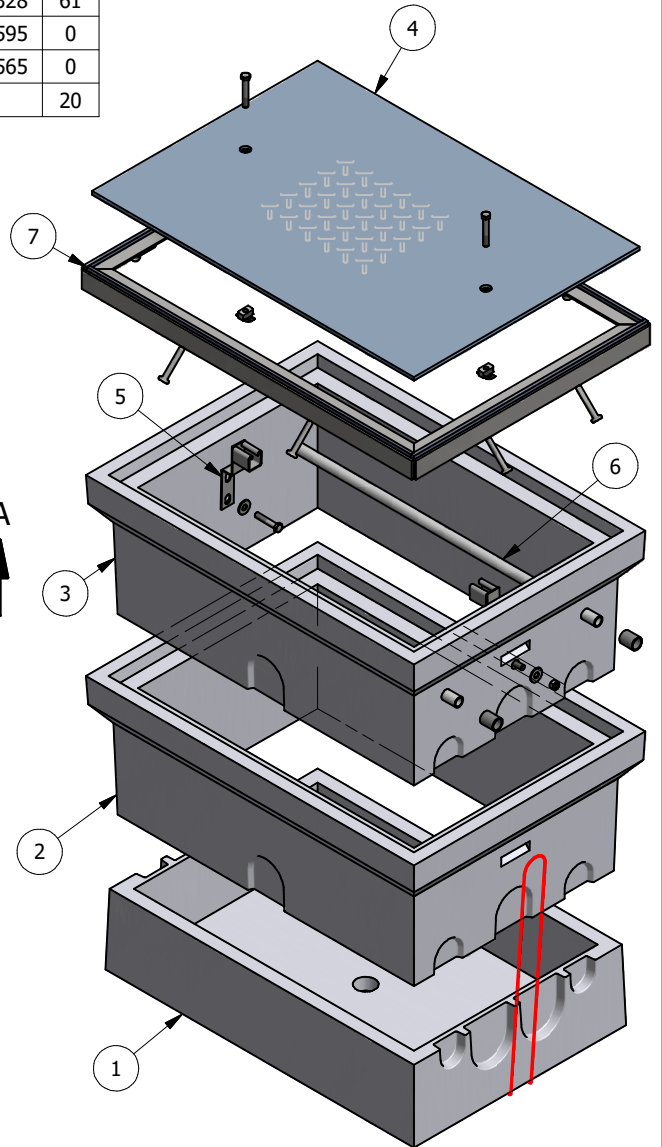
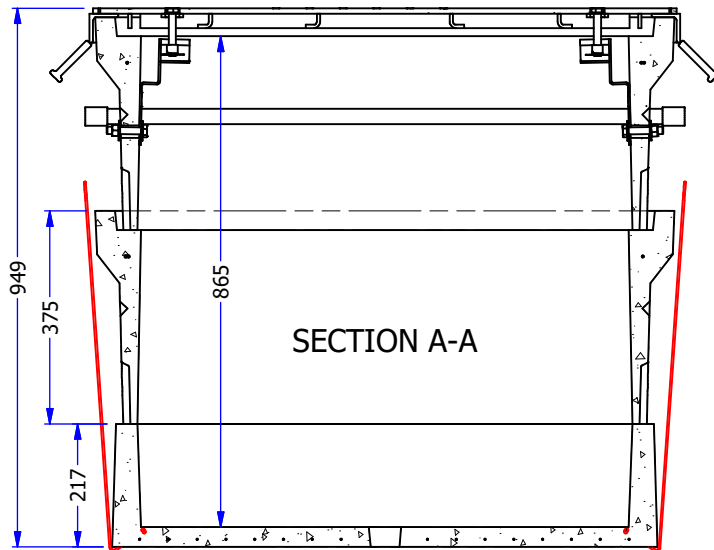
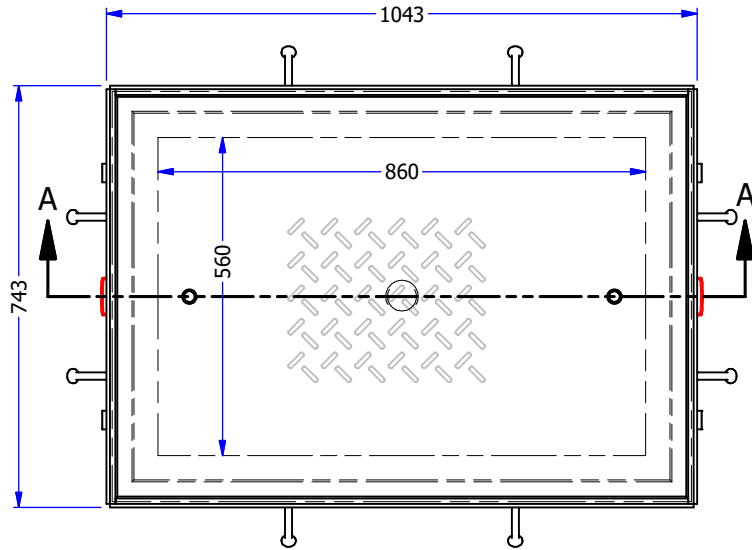


#	DESCRIPTION	ITEM #	KG
1	5686 SERVICE BOX BASE	14541	104
2	5686 SERVICE BOX RISER 350 [14"]	14526	105
3	5686 SERVICE BOX RISER 350 [14"] w/ BOLT HOLES & PIPE HOLES	14532	105
4	5686 LID STEEL	16328	61
5	BOLTDOWN DEVICE HARDWARE KIT	14595	0
6	RPVC PIPE 3/4" SUPPORTS KIT	14565	0
7	5686 SUPERIMPOSED LID FRAME		20



- PRODUCT MANUFACTURED IN ACCORDANCE WITH CSA A23.4
- DESIGNED FOR BOULEVARD (OFF-ROAD) USE
- H2O STATIC LOADING
- STEEL PRODUCTS MANUFACTURED UNDER CSA W47.1 IN ACCORDANCE WITH CSA W59
- SITE INSTALLATION, BACKFILLING, AND SUITABILITY FOR USE IS THE RESPONSIBILITY OF OTHERS
- MINIMUM CONCRETE STRENGTH AT 28 DAYS: 35 MPA

WWW.FRASERWAYPREKAST.COM

(604) 534-2911



**5686 SERVICE BOX COMPLETE - WITH BASE, 2x 350 RISERS, PIPE SUPPORTS, BOLTDOWN STEEL LID & SUPERIMPOSED LID FRAME**

SIZE  
A

DRAWING #

16365

REV

SHEET

5686SB 2R B P BD SI

1/1