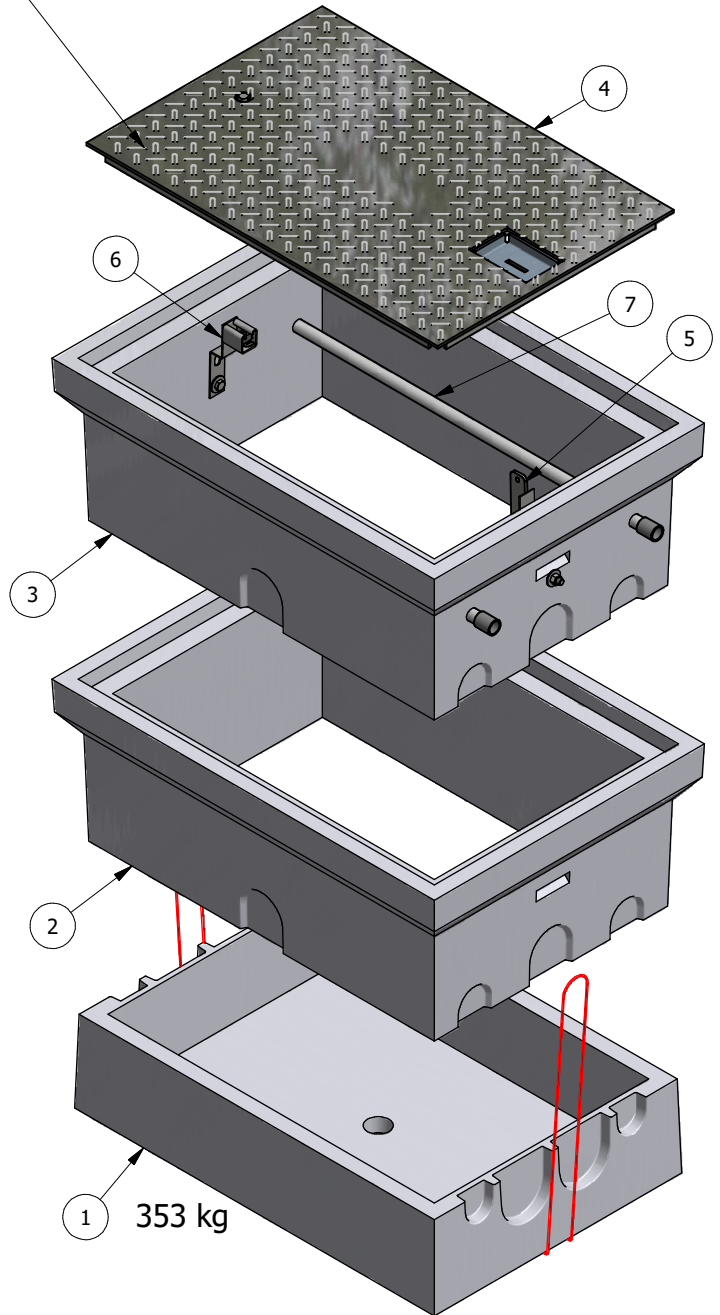
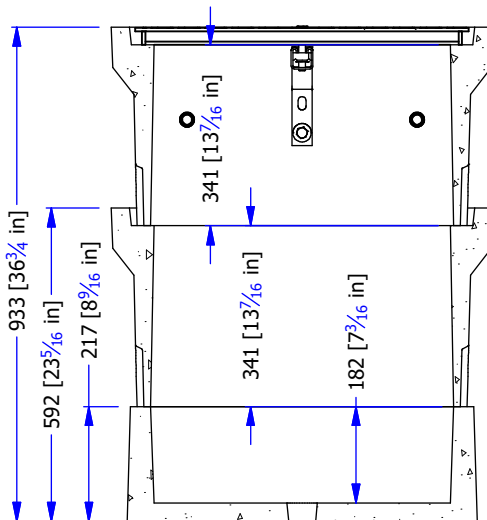
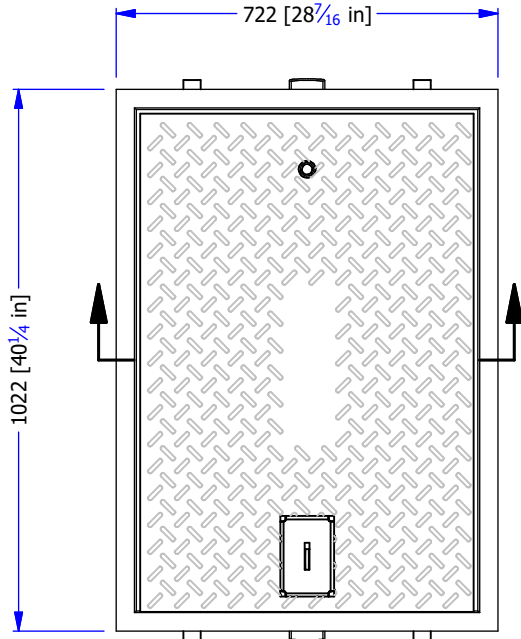


#	DESCRIPTION	CODE #	KG
1	5686 SERVICE BOX BASE	14541	104
2	5686 SERVICE BOX RISER 350 [14"]	14526	105
3	5686 SERVICE BOX RISER 350 [14"] w/ BOLT HOLES & PIPE HOLES	14532	105
4	5686 GALV STEEL CHECKERPLATE w/ PADLOCK RECESS	14553	38
5	PADLOCK DEVICE HARDWARE KIT	14598	0
6	BOLTDOWN DEVICE HARDWARE KIT	14595	0
7	RPVC PIPE 3/4" SUPPORTS KIT	14565	0

LID OPTIONS:

- CAST IRON OR
  - STEEL CHECKERPLATE LID GALVANIZED OR PAINTED BLACK WITH BOLTDOWN HOLES OR PADLOCK RECESS
- OPTIONAL: "REMOTE READER" Ø45 HOLE  
AVAILABLE WITH: WELD MARKING LABELS  
(e.g. "ELEC", "COMM", "MOTH")



- PRODUCT MANUFACTURED IN ACCORDANCE WITH CSA A23.4
- DESIGNED FOR BOULEVARD (OFF-ROAD) USE - H20 STATIC LOADING
- STEEL PRODUCTS MANUFACTURED UNDER CSA W47.1 IN ACCORDANCE w/ CSA W59
- SITE INSTALLATION, BACKFILLING, AND SUITABILITY FOR USE IS THE RESPONSIBILITY OF OTHERS
- MINIMUM CONCRETE STRENGTH AT 28 DAYS: 35 MPA

WWW.FRASERWAYPREKAST.COM

(604) 534-2911



**5686 SERVICE BOX COMPLETE**  
**2x 350mm RISERS & BASE**  
**w/ PADLOCK LID & PIPE SUPPORTS**

SIZE  
**A**

DRAWING #

14592

REV

SHEET

**5686SB 2R B P PL**

**1/1**