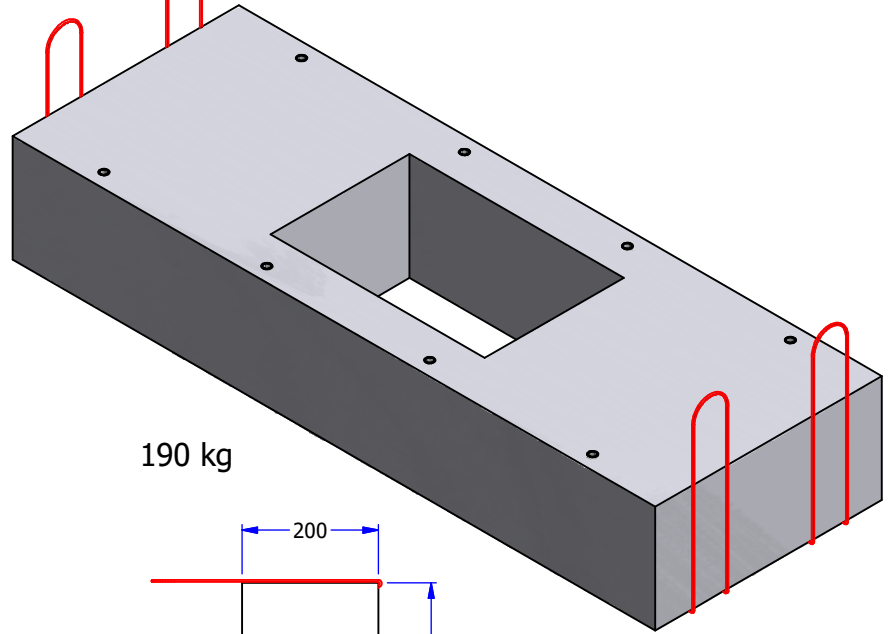
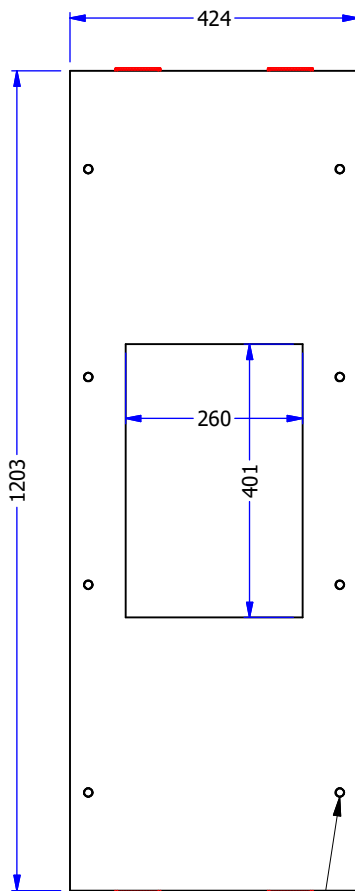


ITEM IS SUPPLIED WITH
2 LENGTHS OF REBAR
10M x 600mm
 (SHIPPED LOOSE)

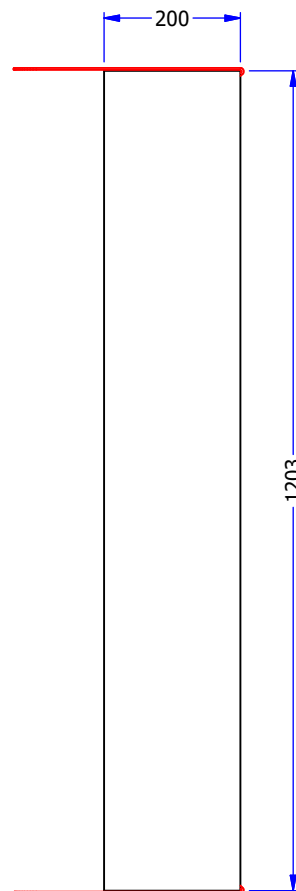
WIRE ROPE
 LIFTING LOOP
 (4x)



190 kg



THREADED INSERT
 1/2-13unc (8x)



NOTES

- PRODUCT MANUFACTURED IN ACCORDANCE WITH CSA A23.4
- MINIMUM CONCRETE STRENGTH AT 28 DAYS: 32 MPA
- GRADE 400 REBAR
- STEEL TROWEL FINISH

WWW.FRASERWAYPREKAST.COM

(604) 534-2911



FRASERWAY PREKAST LTD
 A BMGROUP COMPANY

TELUS CASTLE 864 GPON
1203 x 424 x 200

SIZE
A

DRAWING #

15069

REV

SHEET

864 GPON CASTLE

1/1