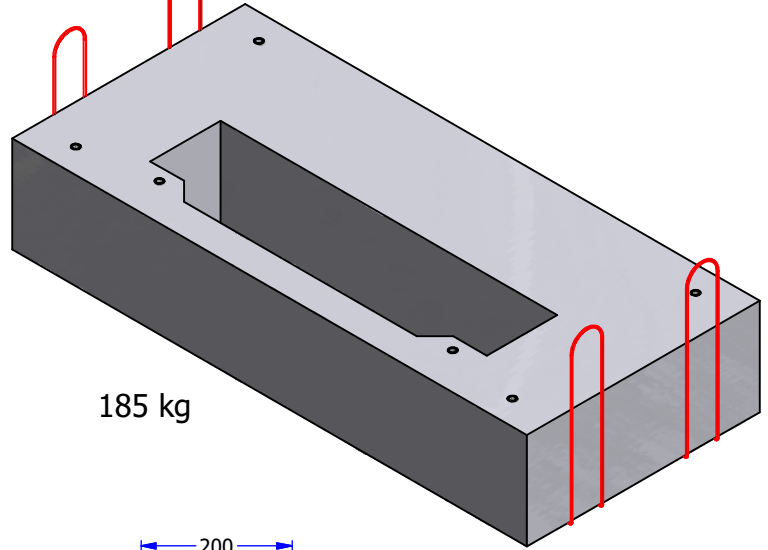
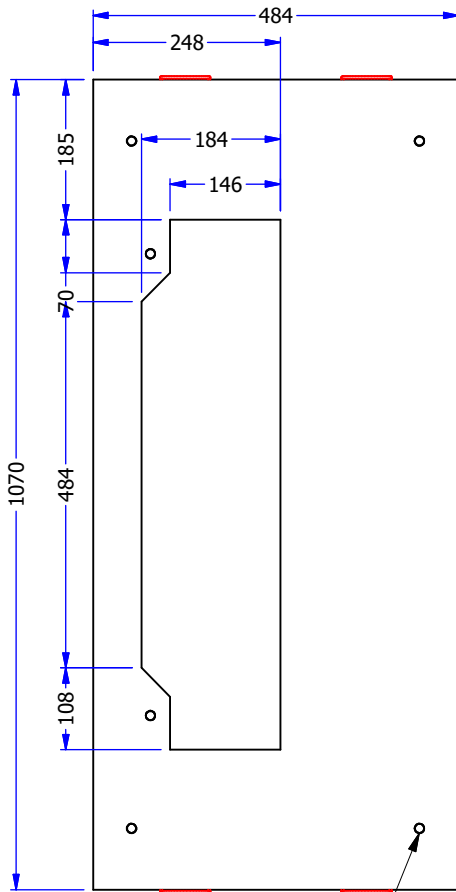


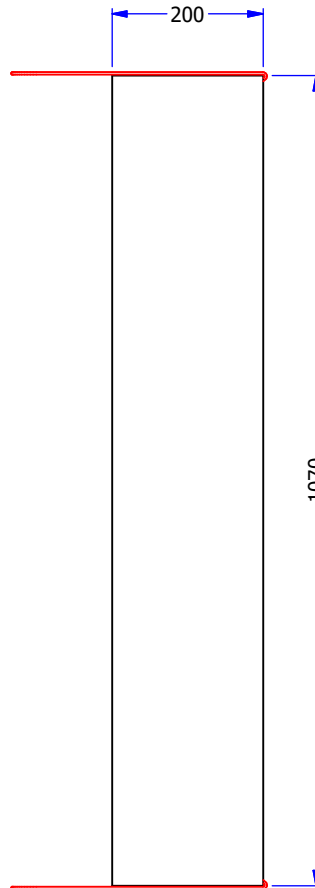
WIRE ROPE  
LIFTING LOOP  
(4x)



185 kg



THREADED INSERT  
1/2-13unc (6x)



NOTES

- PRODUCT MANUFACTURED IN ACCORDANCE WITH CSA A23.4
- MINIMUM CONCRETE STRENGTH AT 28 DAYS: 32 MPA
- GRADE 400 REBAR
- STEEL TROWEL FINISH

WWW.FRASERWAYPREKAST.COM

(604) 534-2911



**FRASERWAY PREKAST LTD**  
A BMGROUP COMPANY

**TELUS C.O.V. 864 GPON PAD**  
**1070 x 484 x 200**

SIZE  
**A**

DRAWING #

15066

REV

SHEET

**864 GPON C.O.V.**

**1/1**