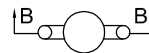


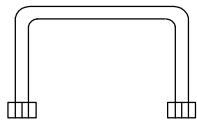
ALTERNATE LETTERING
ELECTRIC, UTILITY, ETC

965 (38)



WESTVIEW SALES

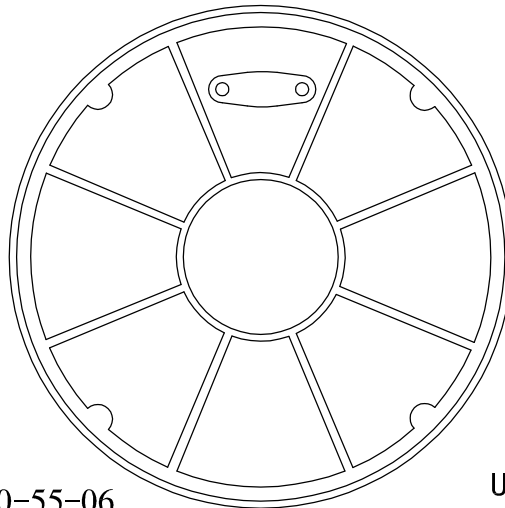
AFTER
MACHINING
35 (1 3/8)



SECTION B-B

STEEL HANDLE TO BE
INSTALLED THRU HOLES
WITH HEXNUTS WELDED

HANDLE



UNDERSIDE

NOTES:
MAT'L:ASTM A536 DUCTILE IRON 80-55-06
FINISH:BITUMINOUS DIP
LOADING:HIGHWAY LOADING
AVAILABLE IN WATERTIGHT

WESTVIEW SALES LTD.

TR36 COVER