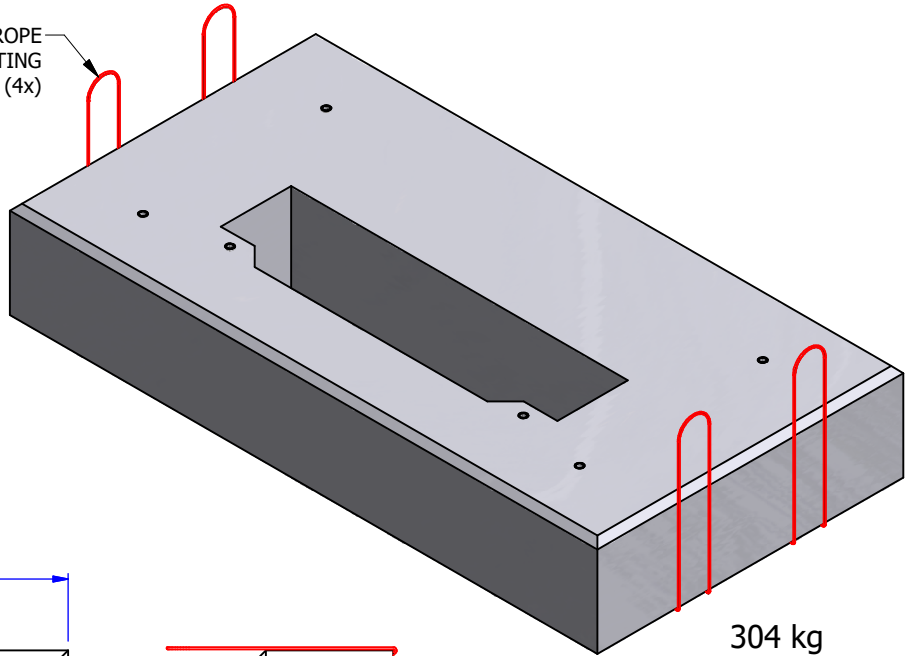
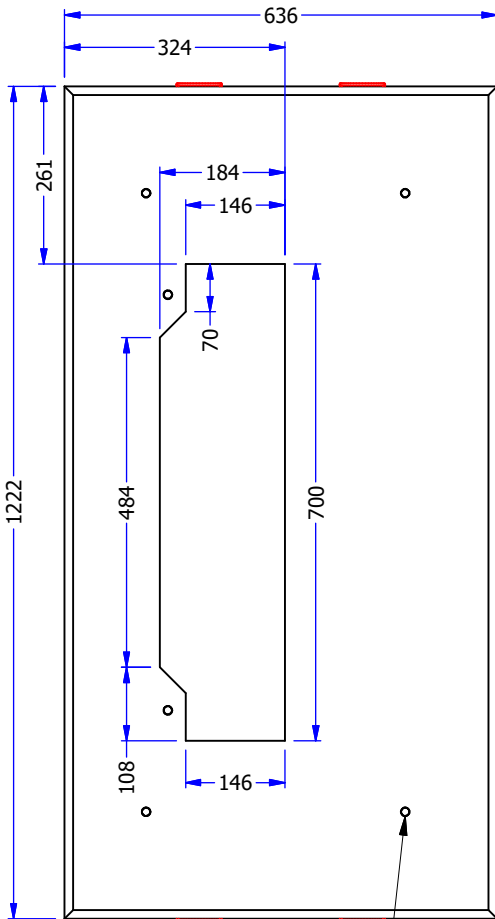


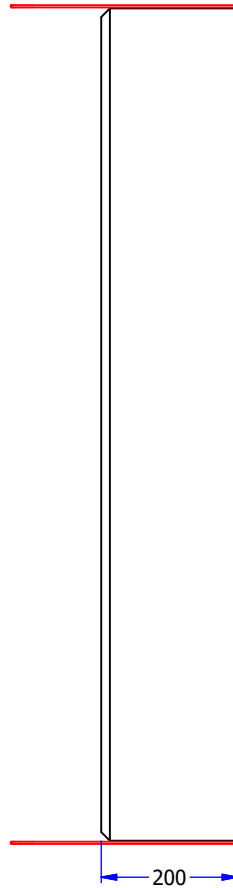
WIRE ROPE
LIFTING
LOOP (4x)



304 kg



THREADED INSERT
1/2-13unc (6x)



NOTES

- PRODUCT MANUFACTURED IN ACCORDANCE WITH CSA A23.4
- MINIMUM CONCRETE STRENGTH AT 28 DAYS: 32 MPA
- GRADE 400 REBAR
- STEEL TROWEL FINISH

WWW.FRASERWAYPREKAST.COM

(604) 534-2911



FRASERWAY PREKAST LTD
A BMGROUP COMPANY

CDNV GPON PAD
1222 x 636 x 200

SIZE
A

DRAWING #

15075

REV

SHEET

CDNV GPON PAD

1/1