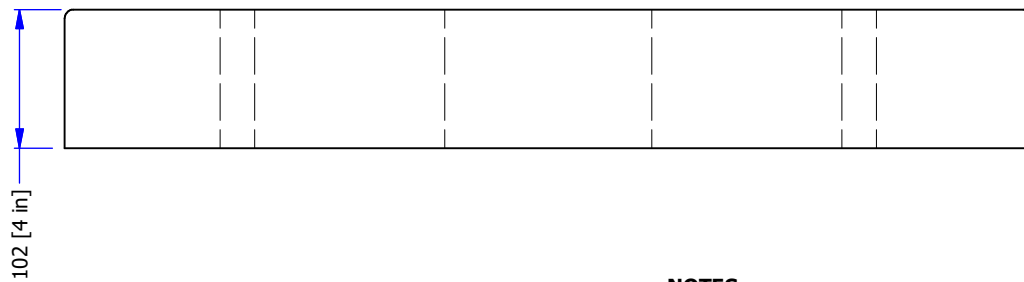
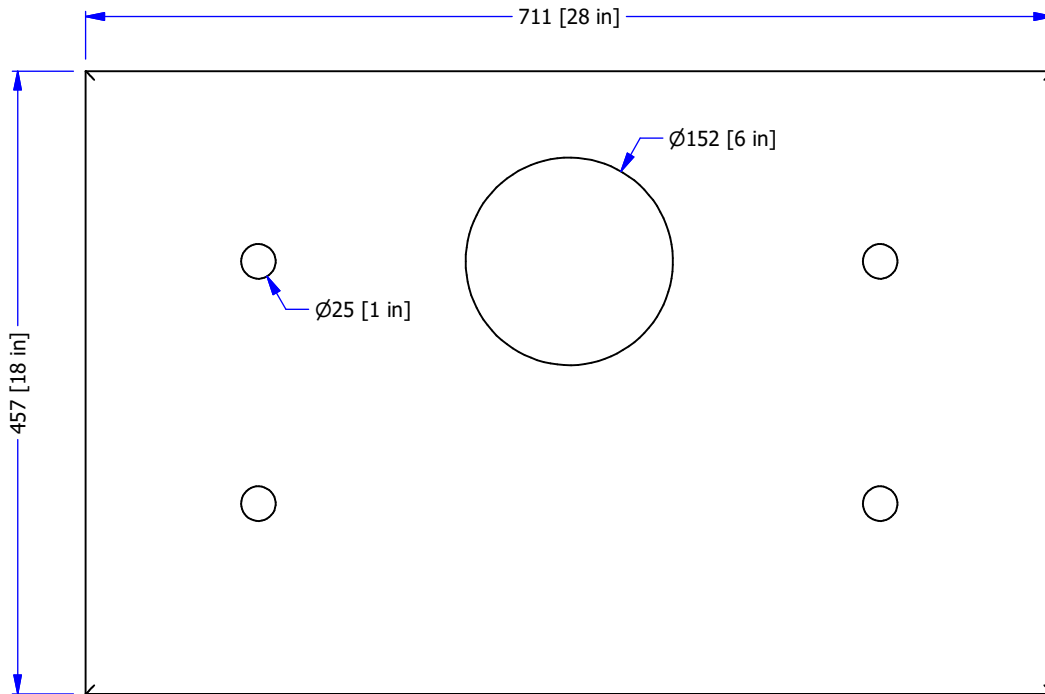


71 kg



NOTES

- PRODUCT MANUFACTURED IN ACCORDANCE WITH CSA A23.4
- MINIMUM CONCRETE STRENGTH AT 28 DAYS: 30 MPA
- MINIMUM CONCRETE STRIPPING STRENGTH: 10 MPA
- STEEL TROWEL FINISH
- EDGE TOP FACE

WWW.FRASERWAYPREKAST.COM

(604) 534-2911



FRASERWAY PREKAST LTD
A BMGROUP COMPANY

HEADSTONE BASE 28 x 18 x 4

SIZE A DRAWING #

10368

REV

SHEET

HB 28x18x4

1/1