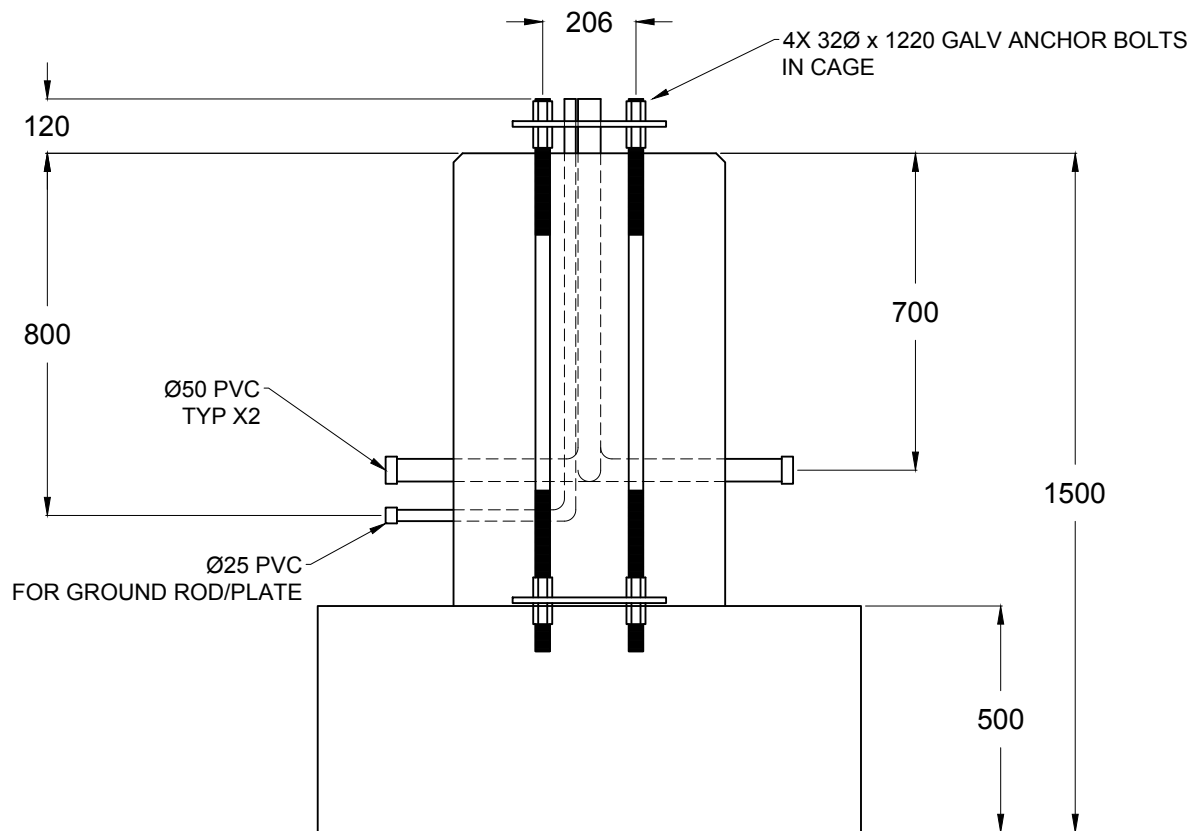
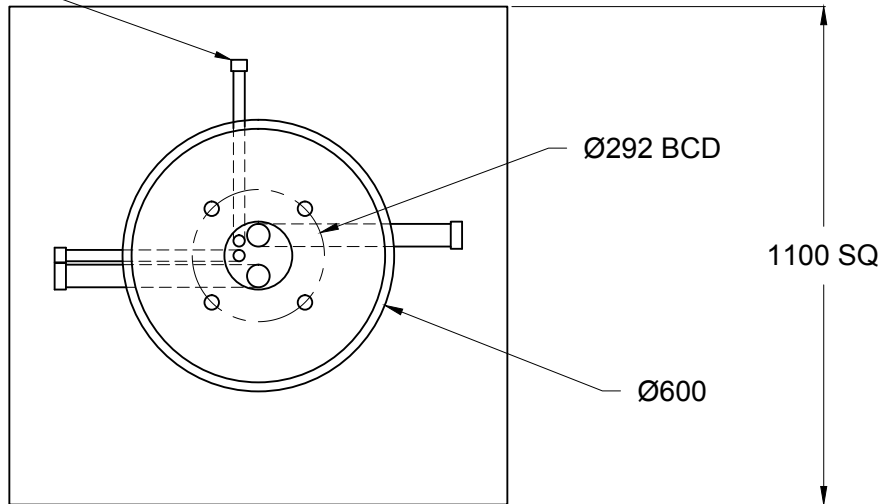


Ø25 PVC IRRIGATION CONDUIT
(HEIGHT VARIES)



GENERAL NOTES

- PRODUCT MANUFACTURED IN ACCORDANCE WITH CSA 23.4
- SITE INSTALLATION, BACKFILLING & SUITABILITY FOR USE IS RESPONSIBILITY OF OTHERS
- MINIMUM CONCRETE STRENGTH: 30 MPa

THIS DRAWING AND ALL INFORMATION, IS & SHALL REMAIN THE PROPERTY OF FRASERWAY PRECAST. ANY USE, ALTERATIONS, OR REPRODUCTIONS WITHOUT WRITTEN CONSENT FROM FRASERWAY PRECAST IS STRICTLY PROHIBITED.

FRASERWAY PRECAST LTD

22765 FRASER HIGHWAY
LANGLEY, BC V3A 4R6
TEL: 604-534-2911 FAX: 604-533-3238
EMAIL: INFO@FRASERWAYPRECAST.COM
WWW.FRASERWAYPRECAST.COM

**RICHMOND PEDESTAL BASE -
TYPE P8**

DRAWN BY: AY	DIMENSIONS IN MILLIMETERS UNLESS OTHERWISE SPECIFIED	DWG #: SB
DATE: 18-Sep-13	TOLERANCES ± 5	P8