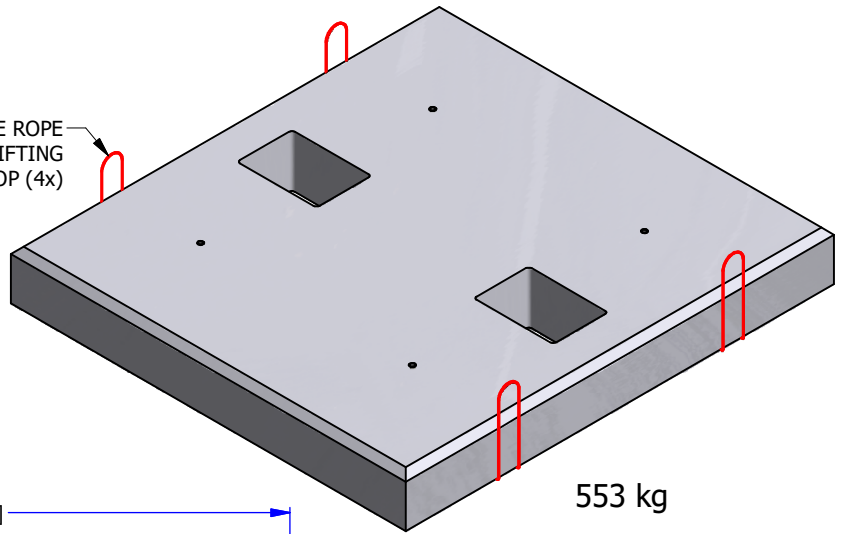
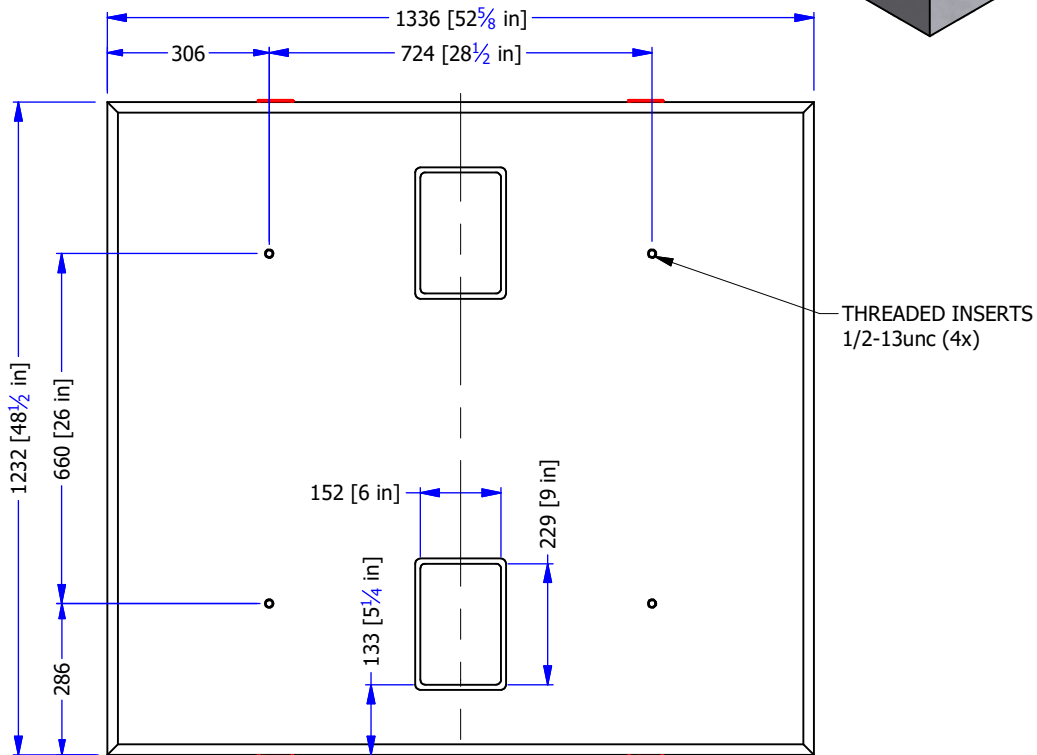


WIRE ROPE  
LIFTING  
LOOP (4x)



553 kg



- NOTES
- PRODUCT MANUFACTURED IN ACCORDANCE WITH CSA A23.4
  - MINIMUM CONCRETE STRENGTH AT 28 DAYS: 32 MPA
  - GRADE 400 REBAR
  - STEEL TROWEL FINISH

WWW.FRASERWAYPREKAST.COM

(604) 534-2911



**FRASERWAY PREKAST LTD**  
A BMGROUP COMPANY

## WOD-DDC CABINET PAD

SIZE  
**A**

DRAWING #

WOD-DDC PAD

REV SHEET  
1/1