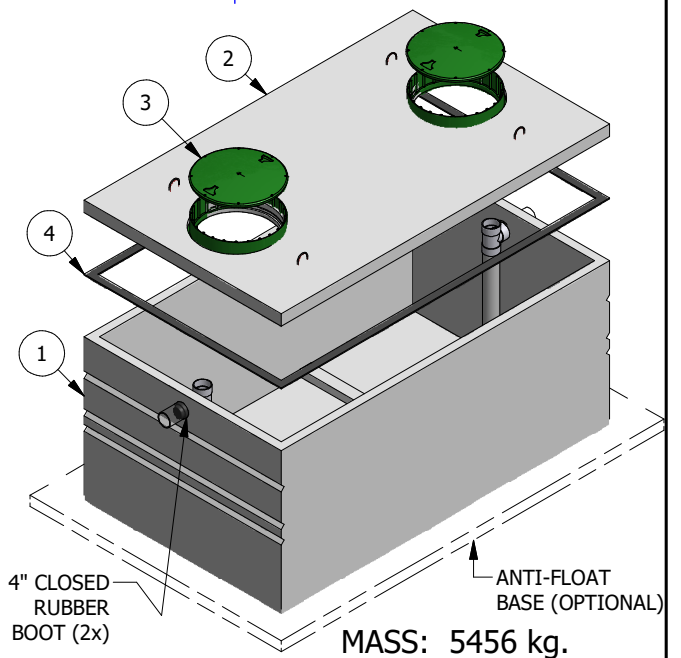


#	DESCRIPTION	ITEM #	KG
1	1000 IGAL PUMP CHAMBER BASE	14505	3959
2	1000 IGAL LID	14505	1497
3	POLYLOK RISER COVER Ø24"	20545	
4	CONSEAL CS-102	20405	
5	RIGID PVCPIPING 4" SCH40		

- MANUFACTURED IN ACCORDANCE WITH CSA B66
- MINIMUM CONCRETE STRENGTH AT 28 DAYS: 32 MPA
- MAX WATER CEMENT RATIO OF 0.45 & AIR CONTENT OF 5-8%
- GRADE 400 REBAR REINFORCEMENT
- WWM IN ACCORDANCE TO ASTM A1064
- HARD STEEL FINISH
- 25.64 IGal/in (45.87 l/cm)

WWW.FRASERWAYPREKAST.COM

(604) 534-2911



MASS: 5456 kg.



## 1000 IGal [4546 l] PUMP CHAMBER

SIZE A DRAWING #

41209 REV SHEET

1000G PC

1/1