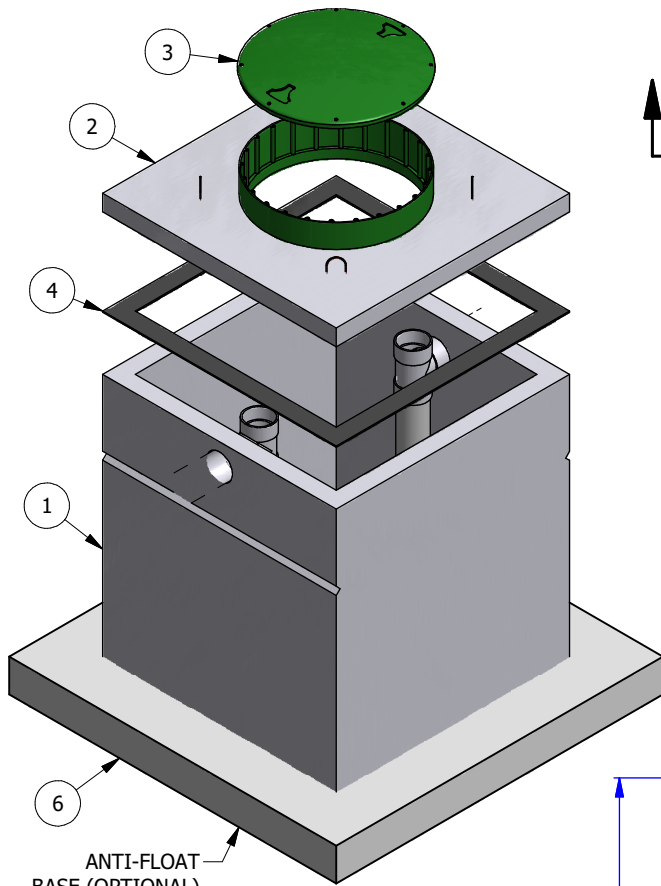
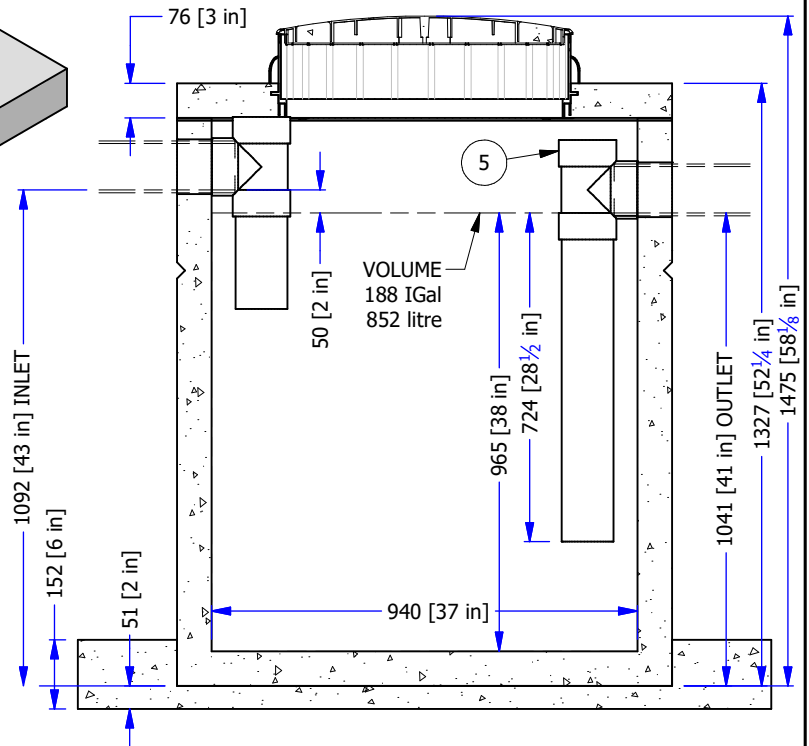
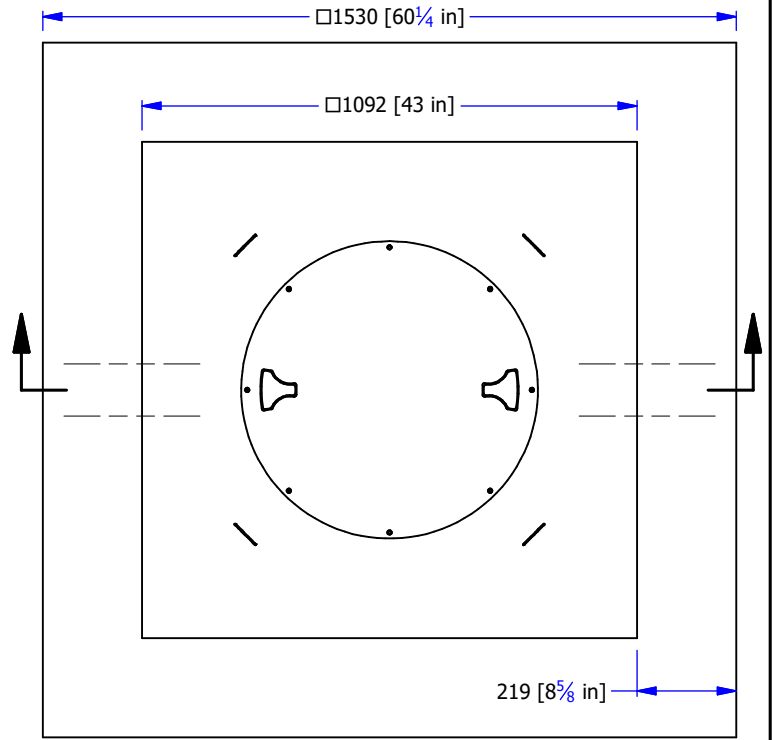


#	DESCRIPTION	ITEM #	KG
1	200 GAL PUMP CHAMBER BASE	14505	984
2	200 GAL LID	14505	149
3	POLYLOK RISER COVER Ø24"	20545	
4	CONSEAL CS-102	20405	
5	RIGID PVC PIPING 4" SCH40		
6	200 IGAL ANTI-FLOAT BASE	52110	541



ANTI-FLOAT
BASE (OPTIONAL)

MASS: 1133 kg.



- MANUFACTURED IN ACCORDANCE WITH CSA B66
- MINIMUM CONCRETE STRENGTH AT 28 DAYS: 32 MPA
- MAX WATER CEMENT RATIO OF 0.45 & AIR CONTENT OF 5-8%
- GRADE 400 REBAR REINFORCEMENT
- WWM IN ACCORDANCE TO ASTM A1064
- HARD STEEL FINISH
- 5.25 IGal/in (9.43 l/cm)

WWW.FRASERWAYPREKAST.COM

(604) 534-2911



200 IGal [900 I] PUMP CHAMBER

SIZE
A

DRAWING #

41201

REV

SHEET

200G PC

1/1